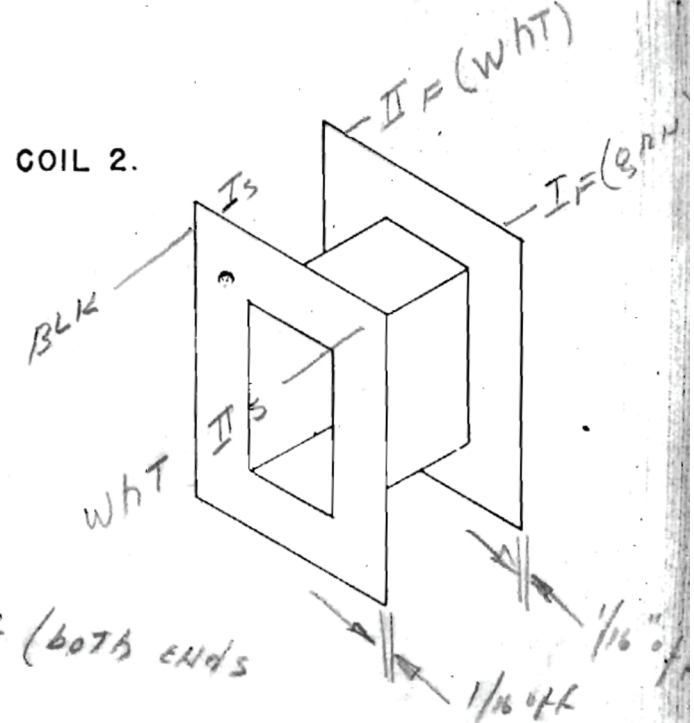
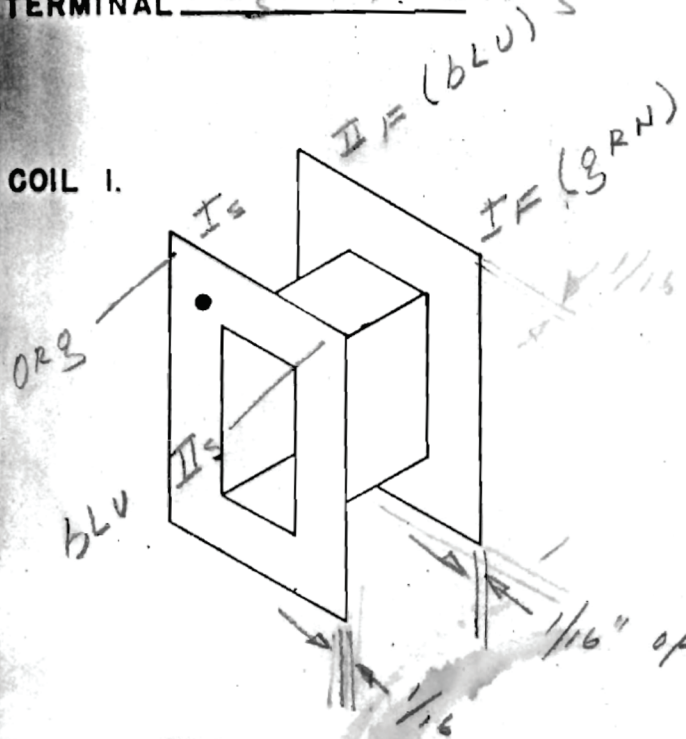


BOBBIN $\frac{1}{2}$ " \times 1.1" LONG (CUT FLANGE $\frac{1}{16}$ ")
 CORE 375 U1 8014
 CASE _____
 TERMINAL 260A 9" LONG

NO. RE-9741-01
 DATE 4/2/97
 CUSTOMER NO. R. Holmes
 SERVICE 7:1 7350/150A



$\frac{1}{16}$ " off (both ends)

	USE	DCR	WIRE	TURNS	TAP	INSULATION		USE	DCR	WIRE	TURNS	TAP	INSULATION
I	PR1		37	3664		2L. MYLAR	I	PR1		37	3664		2L. MYLAR