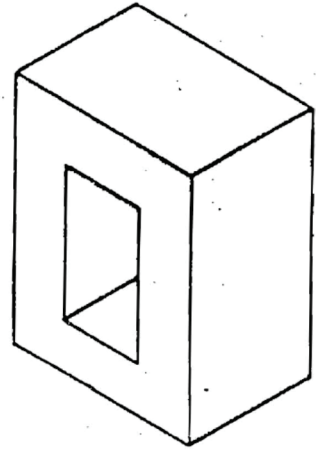
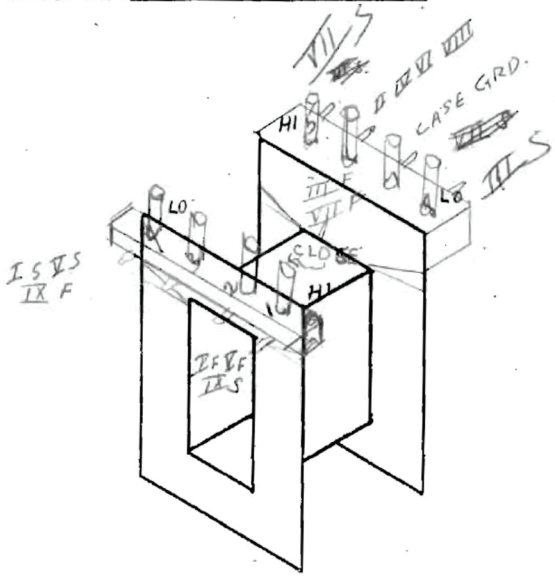


Reichenbach Engineering Company

SPECIALISTS IN QUALITY AUDIO TRANSFORMERS

BOBBIN 3/8 x 3/8 4 PIN HORIZONTAL
 CORE EI-375 .014 H/NI
 CASE MR-159-184 1225 MU
 TERMINAL BURBIN
 EMBEDMENT _____

NO. JE-16A PC
 DATE JUL 5 1978
 CUSTOMER NO. _____
 SERVICE 150Ω TO 600Ω 7 DB
LOW DISTORTION



	USE	DCR	WIRE	TURNS	TAP	INSULATION
I	PRI		36SS	750		2 LAYERS .001K
II	SHIELD		.0007CU	1		2