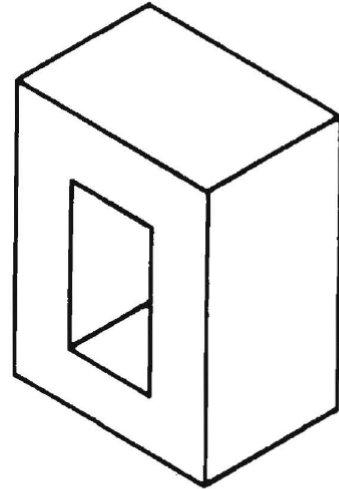
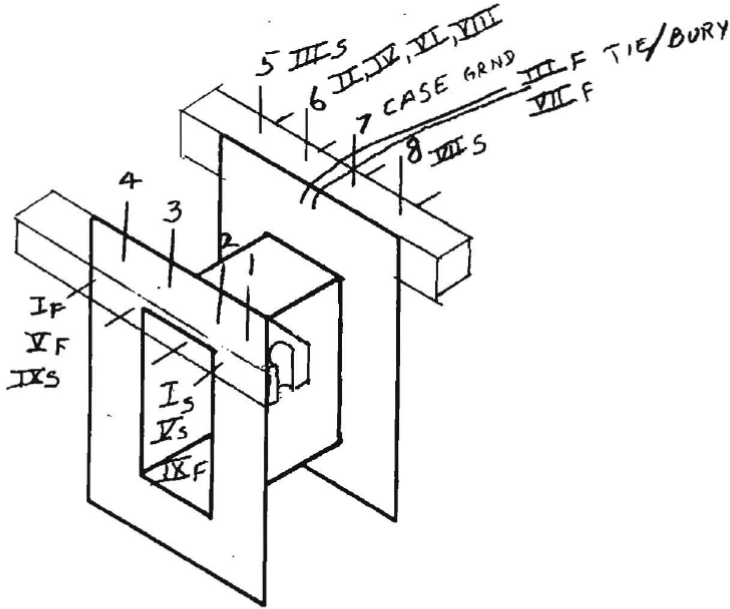


CINEMA MAGNETICS COMPANY



BOBBIN 3/8 8 PIN HOR
 CORE EI 375 8014
 CASE MR 159-184-1224
 TERMINAL PC
 EMBEDMENT E CAST

NO. 13K7-A PC
 DATE REVISED PIN OUT 7/13/00
 CUSTOMER NO. _____
 SERVICE 150-Ω TO 3750-Ω
39K LOAD NETWORK



	USE	DCR	WIRE	TURNS	TAP	INSULATION
1	PRI		36 SPN	750		2 LAYER .001 MYLAR