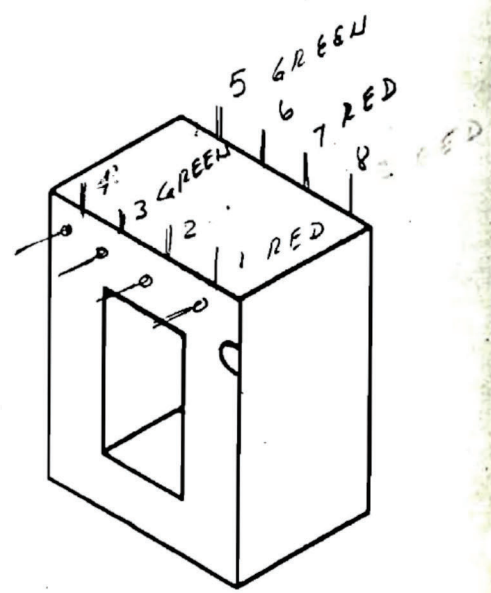
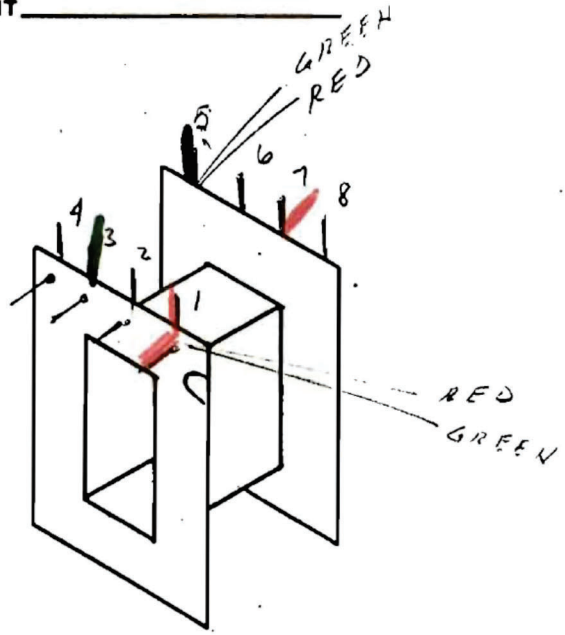


Reichenbach Engineering Company

SPECIALISTS IN QUALITY AUDIO TRANSFORMERS

BOBBIN NY 7- 8 PIN H
 CORE EI 375 20 Ni 014
 CASE _____
 TERMINAL _____
 EMBEDMENT _____

NO. RE-11D-FLA
 DATE 4-30-91
 CUSTOMER NO. JR (ALTEC)
 SERVICE 20K TO 20K
> 18dBm



REV. 5/29/91 PIN OUT & NEW P/N

	USE	DCR	WIRE	TURNS	TAP	INSULATION
1	PRI		37	3500	-	