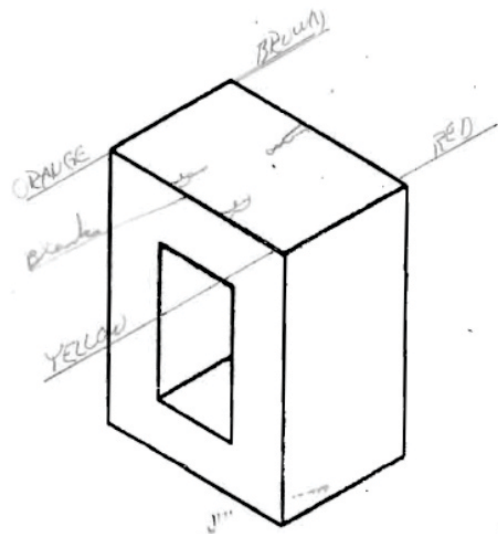
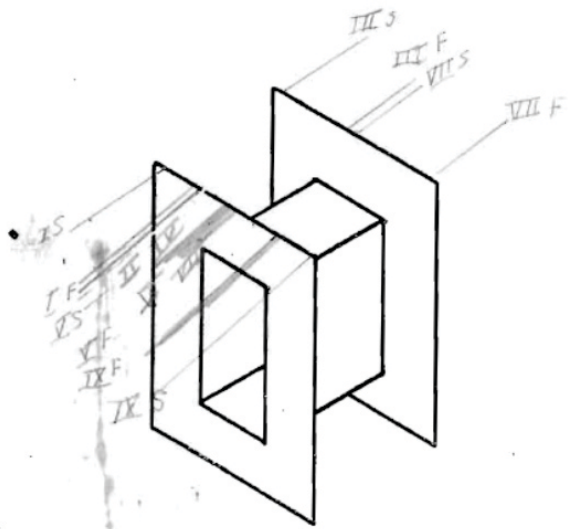


7772

BOBBIN NY-11  
 CORE EI 75 29GA ML  
 CASE CHANNEL FRAME  
 TERMINAL LEADS  
 EMBEDMENT \_\_\_\_\_

NO. OPT-04-A  
 DATE JUN 15 1977  
 CUSTOMER NO. \_\_\_\_\_  
 SERVICE 60 TO 6000



	USE	DCR	WIRE	TURNS	TAP	INSULATION
I	SEC		31 SS	349		26,002
II	(FIELD)		40076L	1		26,002
III	DD1		3600	16.5		2,000