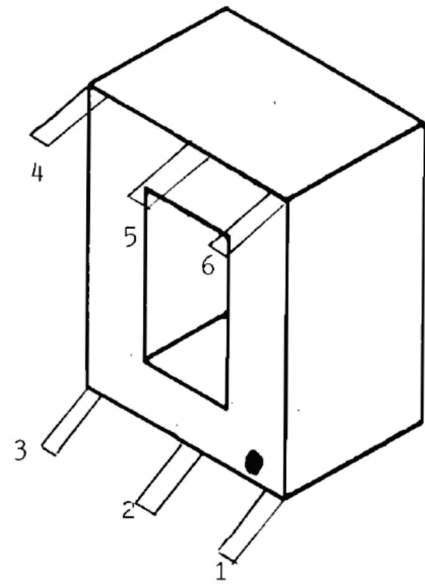
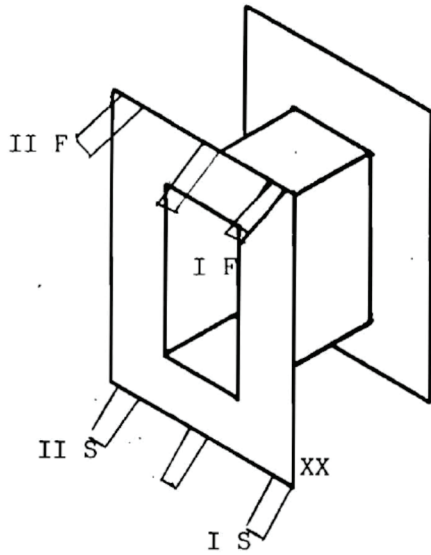


# Reichenbach Engineering Company

**SPECIALISTS IN QUALITY AUDIO TRANSFORMERS**

**BOBBIN** NYT 7 6Pin  
**CORE** EI 375 Lo Ni  
**CASE** CF  
**TERMINAL** Terminals Clean  
**EMBEDMENT** Spray

**NO.** JE 11-FL PC  
**DATE** January 21, 1987  
**CUSTOMER NO.** Jensen  
**SERVICE** JE 112PC



	USE	DCR	WIRE	TURNS	TAP	INSULATION
I	PRI	//				