

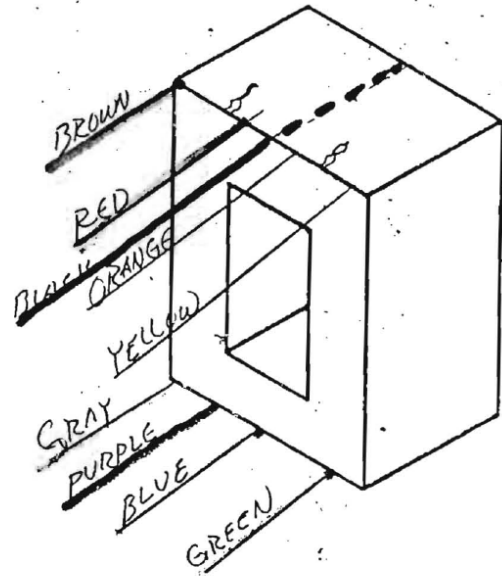
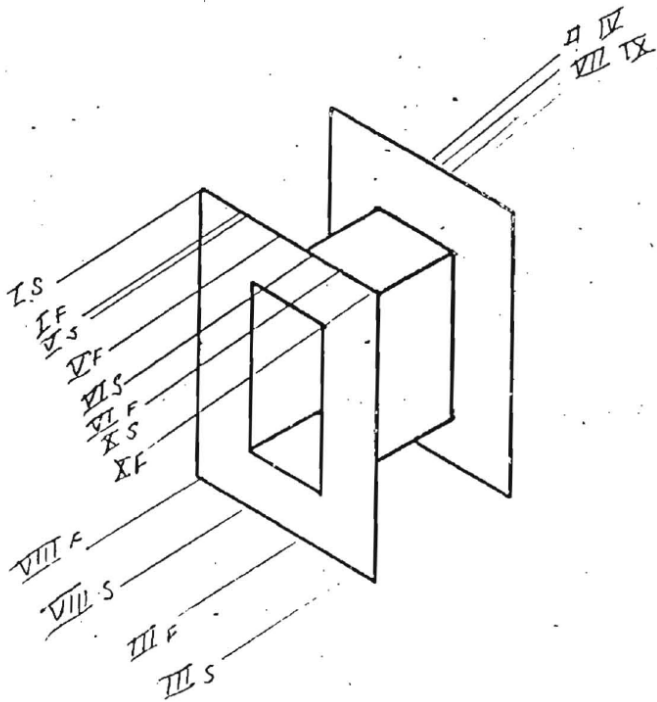
Reichenbach Engineering Company

SPECIALISTS IN QUALITY AUDIO TRANSFORMERS

JE-82111 11-9-82

BOBBIN 5/8 x 3/4
 CORE EI-62 M4 H1 N1
 CASE HASP 4A
 TERMINAL (10) CCAS-937/L6 x 90°
 EMBEDMENT Epoxy S44 R36 DTA 6 1/2 70

NO. JE-SSP-8M
 DATE APR 13 1978
 CUSTOMER NO. _____
 SERVICE 150/600 TO 150/600



	USE	DCR	WIRE	TURNS	TAP	INSULATION
I	PR1		31SS	243	-	1L .001 MYLAR
II	SHIELD		6607CU	1	-	