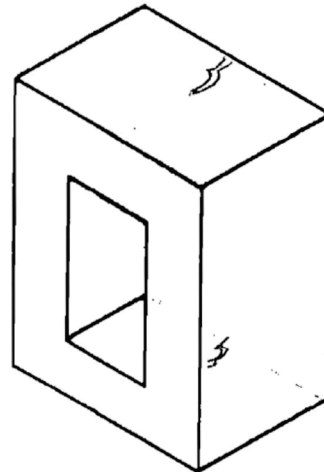
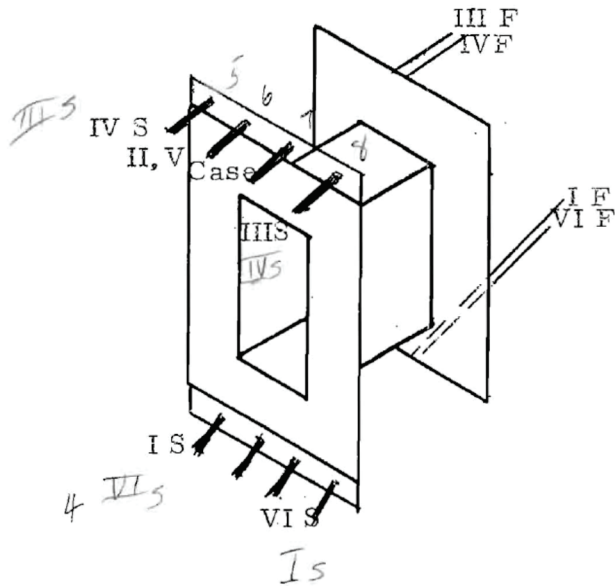


Reichenbach Engineering Company

SPECIALISTS IN QUALITY AUDIO TRANSFORMERS

BOBBIN 1/4 8Pin *NA 6 8pin*
 CORE LE 250 .014 Hi Ni *2425EE W:*
 CASE MR 112-0875
 TERMINAL _____
 EMBEDMENT E-Cast

NO. JE-8043
 DATE Sept. 11, 1979
 CUSTOMER NO. Jensen
 SERVICE _____



	USE	DCR	WIRE	TURNS	TAP	INSULATION
I	PRI		45ss	2280		4 L. .0007K
II	shield		.0007cu	1	1 1/2	4 L. .0007K