

TRANSFORMER  
INTERNATIONAL ELECTRONIC

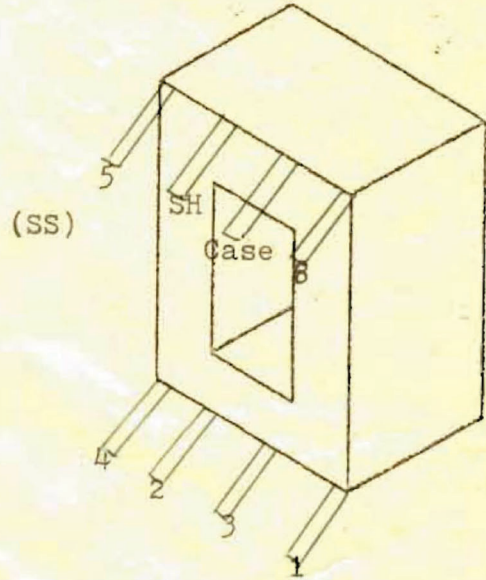
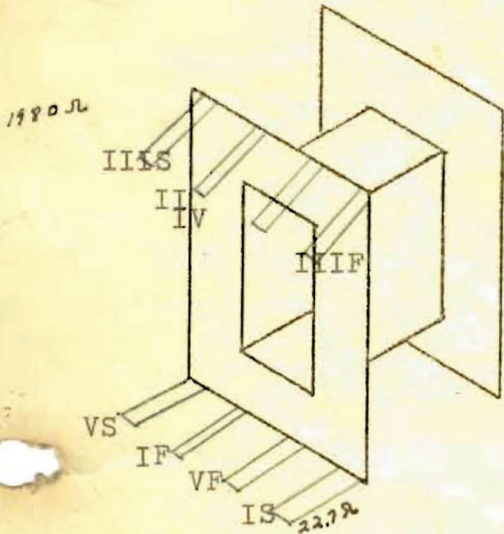
DIVISION  
RESEARCH CORPORATION

BOBBIN 8 Pin PC  
CORE LE 25 .014 Hi M\*  
CASE ~~HE 20~~ *27524 MR 110-0875*  
TERMINAL Bobbin  
EMBEDMENT Wax

NO. JE 6110K-A PC  
DATE: \_\_\_\_\_  
CUSTOMER NO. Deane Jensen  
SERVICE 600/150 to 10K

S.S. between 4&5

*Cut Corners before Lam*



|    | USE    | DCR | WIRE    | TURNS | TAP | INSULATION  |
|----|--------|-----|---------|-------|-----|-------------|
| I  | PRI    |     | 37ss    | 399   |     | 14 L. 0007K |
| II | shield |     | .0007cu | 1     | 1/2 | 22 L. "     |