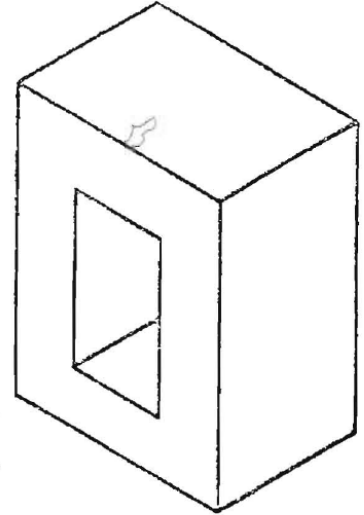
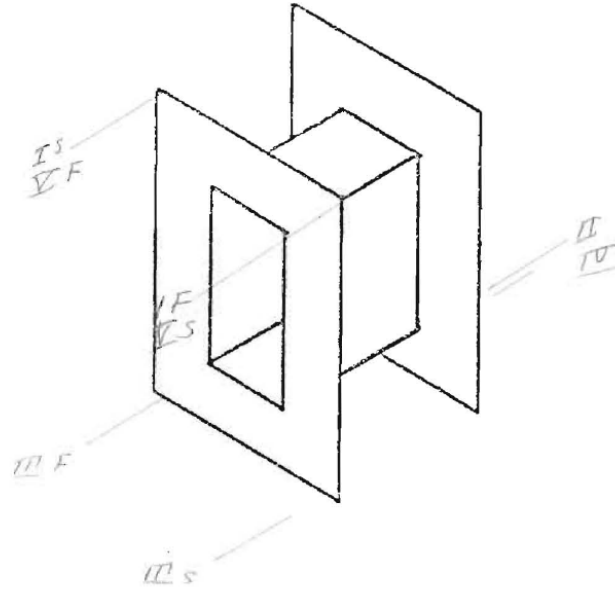


SPECIALISTS IN QUALITY AUDIO TRANSFORMERS

6887 Ferndale Ave., Bldg. 10 • North Hollywood, Ca. 91605 • Telephone: (213) 765-6040

BOBBIN NY-029
 CORE LE 250 .014 H/NI
 CASE HE 20
 TERMINAL LEADS
 EMBEDMENT WAX

NO. JE-16-C
 DATE SEP 19 1979
 CUSTOMER NO. _____
 SERVICE 1:2 INPUT



	USE	DCR	WIRE	TURNS	TAP	INSULATION
1	PR1		3755	420		GL 1007 12