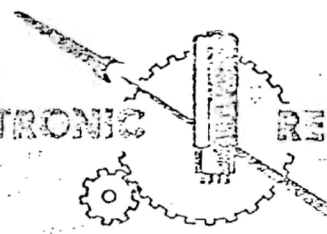


TRANSFORMER
INTERNATIONAL ELECTRONIC

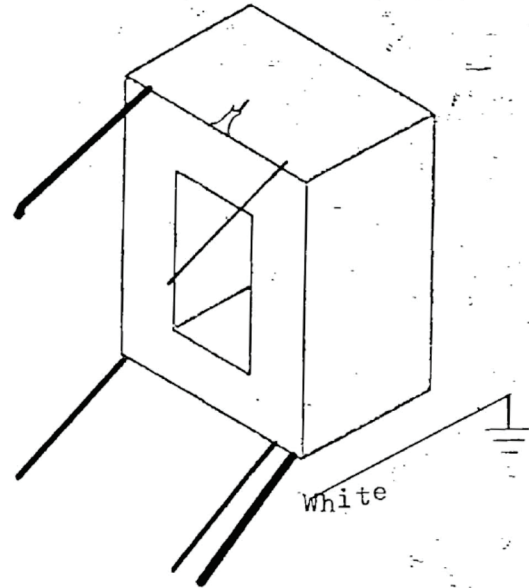
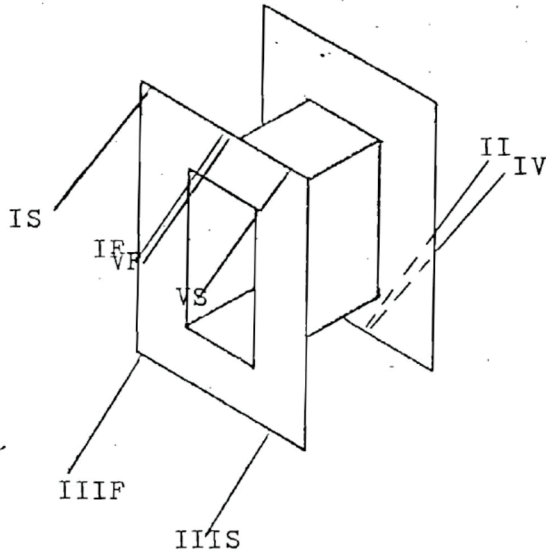
DIVISION
RESEARCH CORPORATION



ROBBIN NY- 029
CORE LE 25 .014 Hi M
CASE HE 20
TERMINAL Leads
EMBEDMENT

NO. JE-150K-C
DATE
CUSTOMER NO. Deane Jensen
SERVICE

150 / 50K



	USE	DCR	WIRE	TURNS	TAP	INSULATION
1	PRI		38ss	201		3L. .002k
2	Shield		0002cu	1		6L. .002k