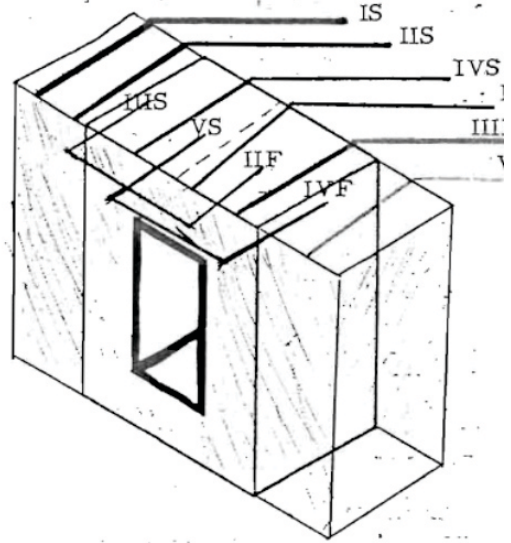
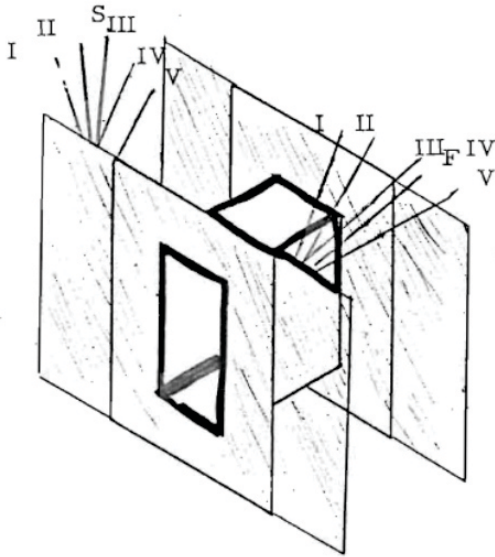


BOBBIN NY-023
 CORE EI 87 29 Ga. 1x1 $\frac{1}{8}$ Keepers
 CASE
 TERMINAL Leads 7" 26 Ga.
 INSULATION Krylon

NO. JE 14S-F (7697)
 DATE
 CUSTOMER NO. Deane Jensen
 SERVICE 37.5 Ω to 150/600 + 30



USE	DCR	WIRE	TURNS	TAP	INSULATION
	///	27			