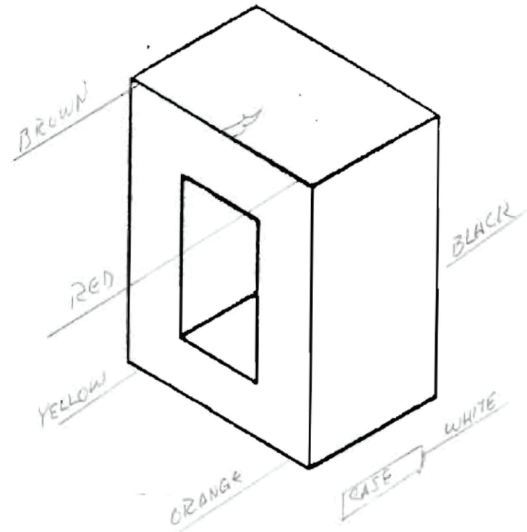
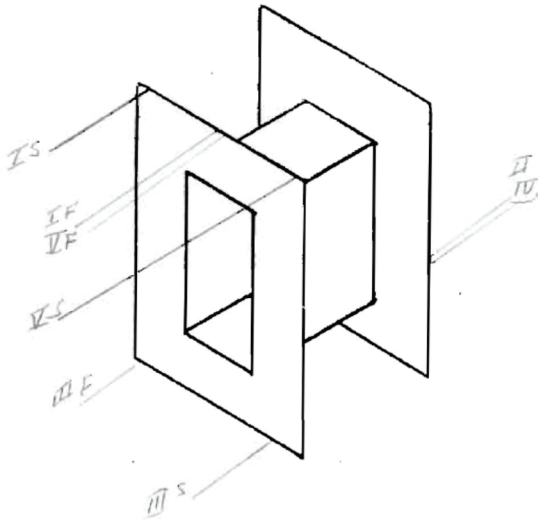


Reichenbach Engineering Company

SPECIALISTS IN QUALITY AUDIO TRANSFORMERS

BOBBIN NY-029
 CORE LE 25.014 HLM
 CASE HE-20
 TERMINAL LEADS
 EMBEDMENT WAX w/EG

NO. JE 145K-C
 DATE DEC 29 1975
 CUSTOMER NO. _____
 SERVICE 150 to 7045K



	USE	DCR	WIRE	TURNS	TAP	INSULATION
1	PR1		3855	168	-	4 LAYERS .00215