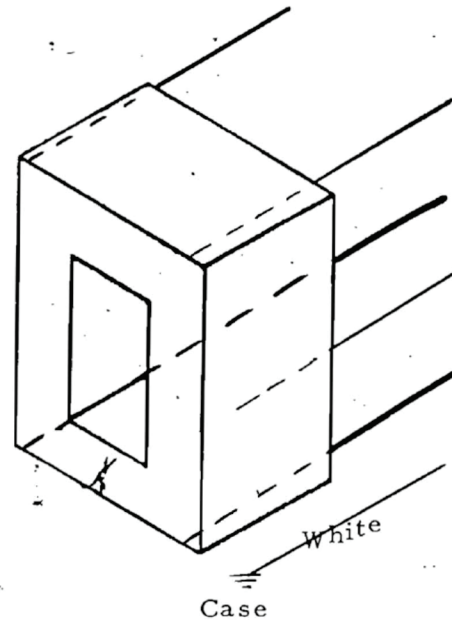
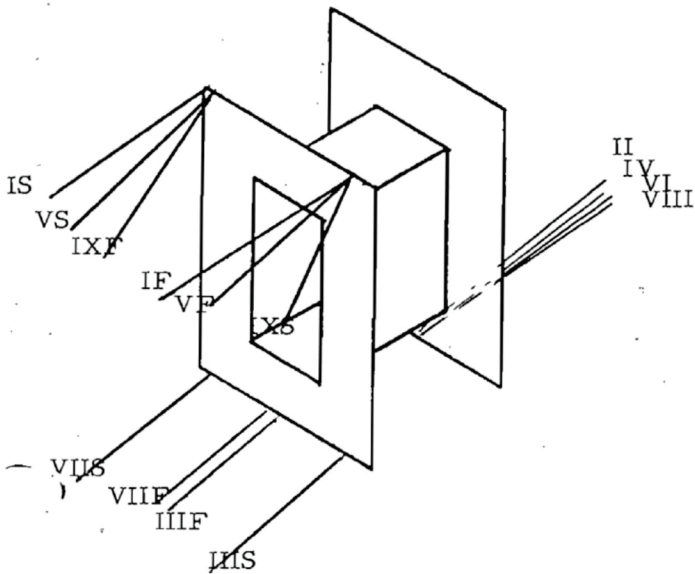


Reichenbach Engineering Company

SPECIALISTS IN QUALITY AUDIO TRANSFORMERS

BOBBIN NY 029
 CORE LE 25 .014 Hi Mu
 CASE HE 20
 TERMINAL Leads
 EMBEDMENT Wax & Silica crystals

NO. JE-140K-D (76712)
 DATE July 26, 1976
 CUSTOMER NO. Jensen
 SERVICE 150Ω to 10KΩ



	USE	DCR	WIRE	TURNS	TAP	INSULATION
I	PRI		39ss	522		3 L. .0007 K.
II	shield		.0007cu	1		5 L. .0007 K.