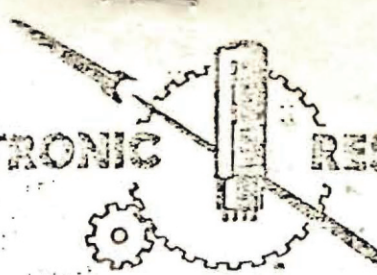


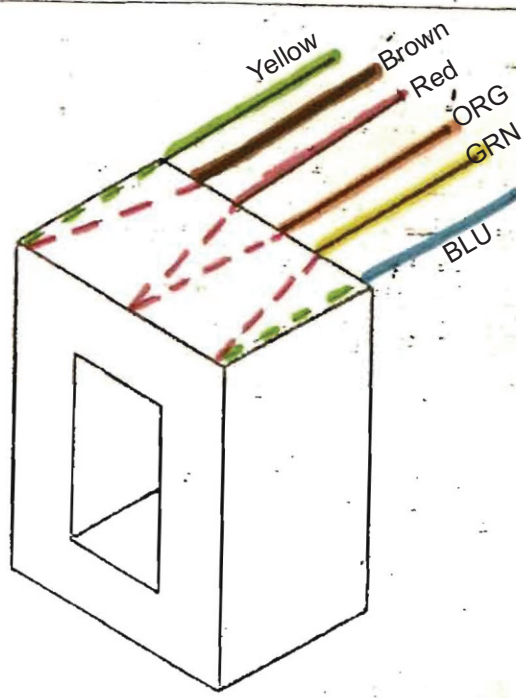
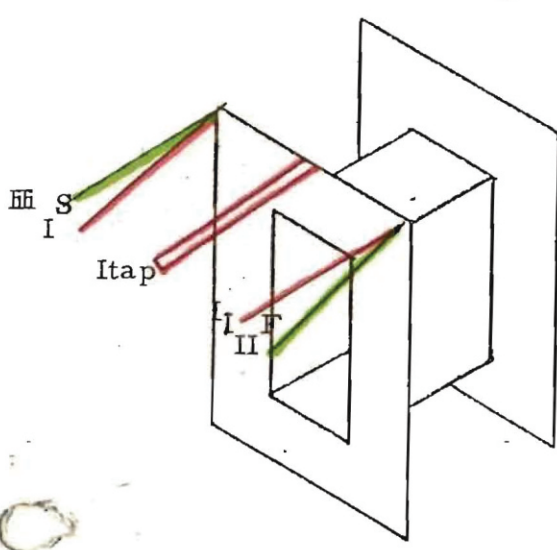
TRANSFORMER INTERNATIONAL ELECTRONIC

DIVISION RESEARCH CORPORATION



BIN NY 10
 CORE EI 625 Lo Ni 1x1
 CASE Channel Frame
 TERMINAL Leads 26 Ga 6" Cut 7"
 EMBEDMENT
 SS Ch. F. JE-11S-L⁴

NO. JE-11S-L
 DATE
 CUSTOMER NO. Deane Jensen
 SERVICE



	USE	DCR	WIRE	TURNS	TAP	INSULATION
I	PRI	32ss	32ss	1302	651	
II	SEC		32ss	1302		1L. .001 Mylar
III						
IV						
V						.005 PA Wrapper 5"
VI						
VII						
VIII						
IX						
X						
XI						
XII						
XIII						
XIV						
XV						

Counter Set: 99783 add for over run Approx. 41 Layers
 Gears - 90-90-56