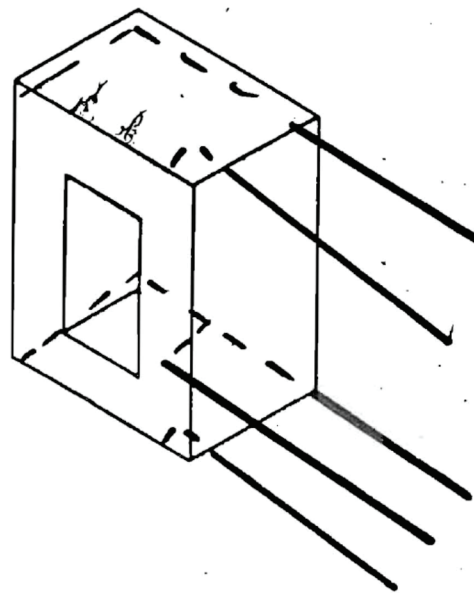
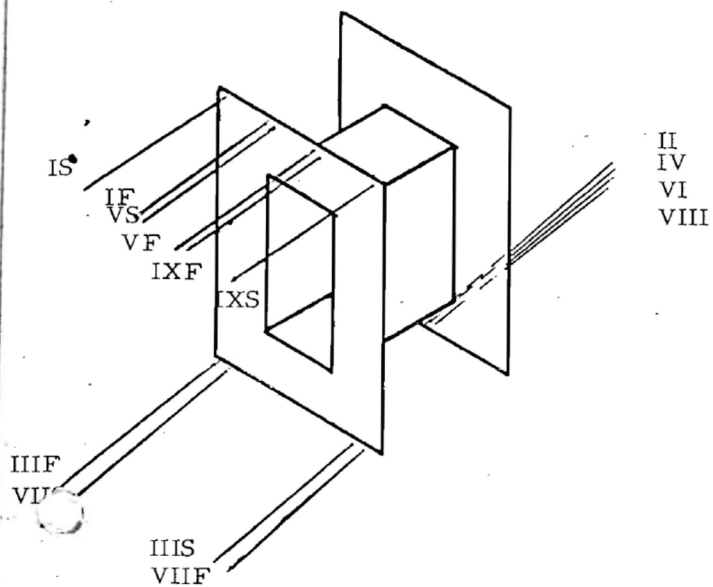


BOBBIN NY 7
 CORE EI 375 .014
 CASE HE 32
 TERMINAL Leads 9" 30 GA
 EMBEDMENT Wax

JENSEN
 NO. IPT-24-A
 DATE JUNE 8, 1977
 CUSTOMER NO. IEM IPT 24
 SERVICE 40 K to 5K



	USE	DCR	WIRE	TURNS	TAP	INSULATION
I	PRI	*	40	1200		2L. .001 K.
II	shield		.0007cu	1		2L. "