

REICHENBACH
ENGINEERING CORP.

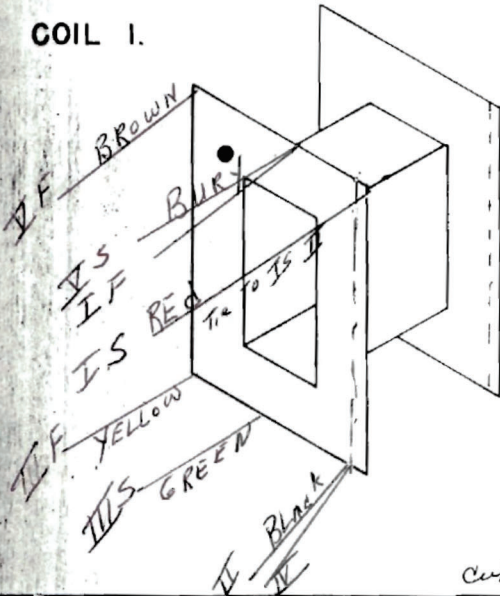
SPECIFICATIONS

BOBBIN NY 34
 CORE 18 DU H. N 14 Mil
 CASE 1.665 sq A 1.95 HT
 TERMINAL 9" 306a

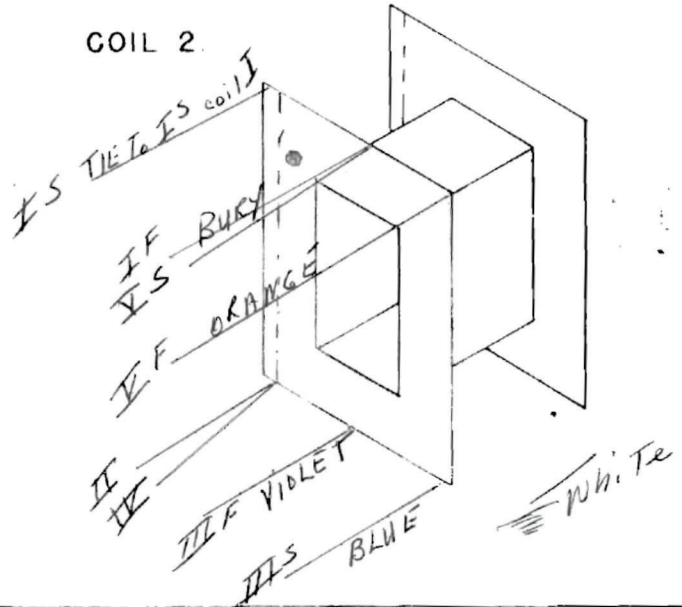
test
check Fuzzing
PHASING

NO. IC 252150
 DATE 1/27/98
 CUSTOMER NO. INWARD Conn
 SERVICE 5K-0.5K To 2X150R

COIL 1.



COIL 2.



USE	DCR	WIRE	URNS	TAP	INSULATION	USE	DCR	WIRE	URNS	TAP	INSULATION
I	PRI	40	800		2L M/Lor	I	PRI	40	800		2L M/Lor