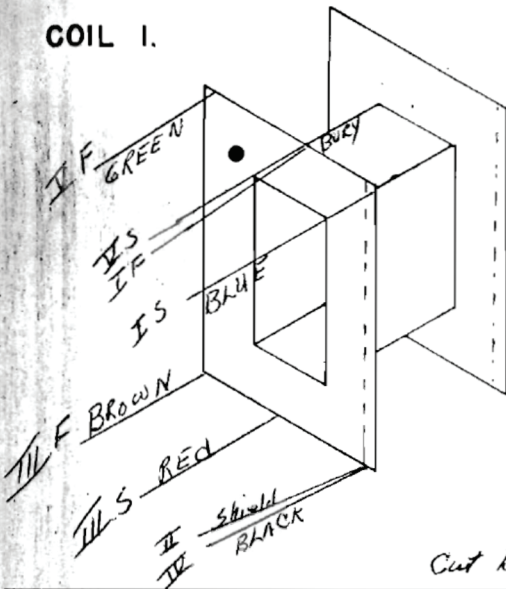


SPECIFICATIONS

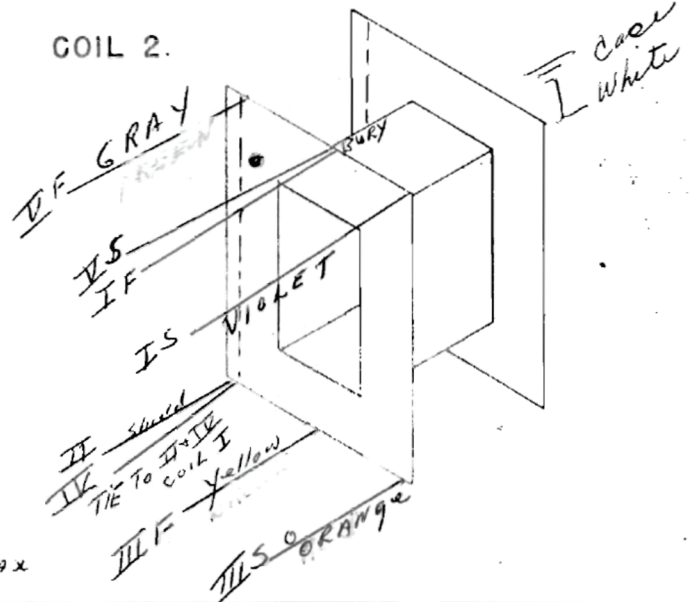
BOBBIN NY 34
 CORE 18 DU HI M. 14 MIL
 CASE 1.165 SQ X 1.95 HT 4 Hole
 TERMINAL 9" 306A

NO. IC 215030
 DATE 2/18/98
 CUSTOMER NO. MWARD Conn.
 SERVICE 2X150R by 2X15K

COIL 1.



COIL 2.



cut Bobbin to .09" max

	USE	DCR	WIRE	TURNS	TAP	INSULATION		USE	DCR	WIRE	TURNS	TAP	INSULATION
I	SEC	*	44		1740	2 Layers Mylar	I			44	1740		2 L MYLAR