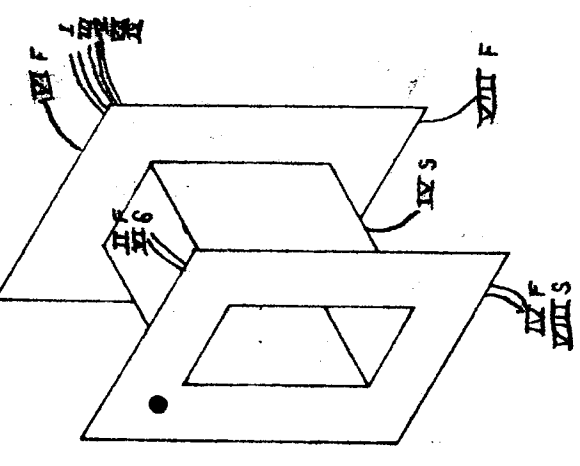
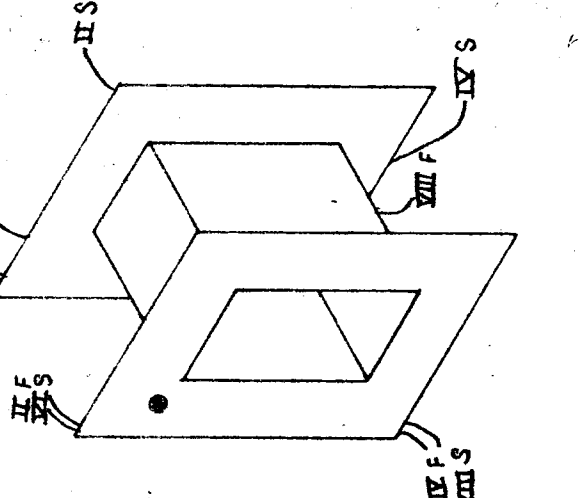


THIS DOCUMENT CONTAINS PROPRIETARY INFORMATION WHICH SHALL NOT BE REPRODUCED, TRANSFERRED TO OTHER DOCUMENTS, DISCLOSED TO OTHERS, USED FOR MANUFACTURING OR ANY OTHER PURPOSE WITHOUT PRIOR WRITTEN PERMISSION OF ELECTRODYNE CORP.

COIL 1.



COIL 2.



ET 10013-1

REVISIONS

LTR	DATE	BY	CHANGE	APP

SILK SCREEN LEGEND

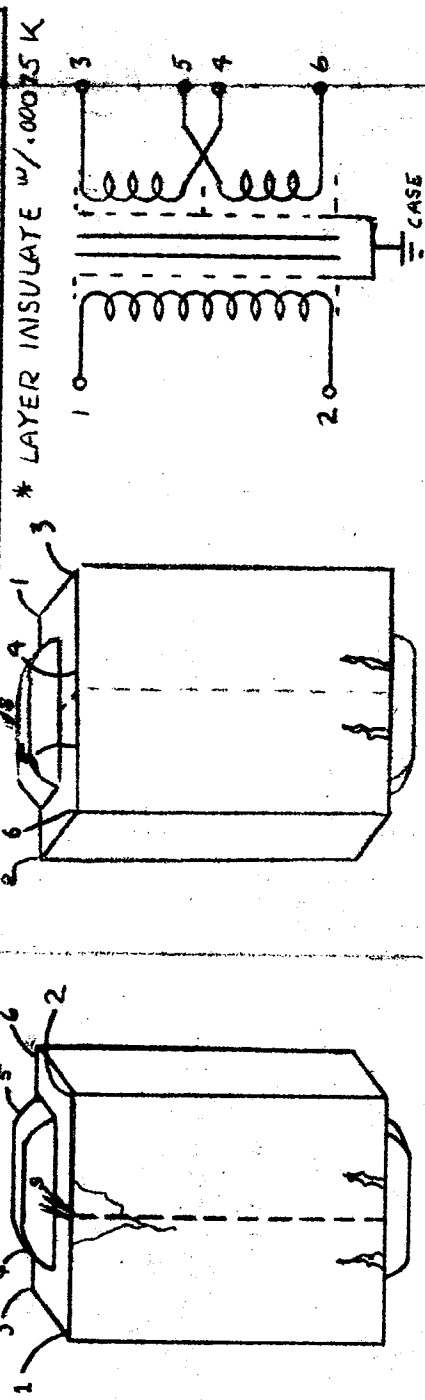
SERVICE
 8K TO 600/150 Ω BRIDGING
 MAX LEVEL +24 DBM
 20 HZ TO 20 KHZ

TEST REQUIREMENT
 PRI. INDUCTANCE 600 H
 LEAKAGE INDUCTANCE 30 μH
 RESONANT FREQUENCY
 CAPACITY PRI. TO CASE
 CAPACITY PRI. TO SEC.
 CAPACITY TO
 HI POT PRI TO CASE 200 V
 HI POT SEC TO "A" PRI 200 V
 HI POT TO

OCT 27 1970

MARK ON SIDE NEAR SIDE TERMINAL / #2

USE	DCR	WIRE	URNS	TAP	INSULATION	USE	DCR	WIRE	URNS	TAP	INSULATION
I	SHIELD				1 LAYER .001 MYLAR	I	SHIELD				1 LAYER .001 MYLAR
II	PRI	* 41SS	2190	-	"	II	PRI	* 41SS	2190	-	"
III	SHIELD	.001CU	1	-	"	III	SHIELD	.001CU	1	-	"
IV	SEC	* 35HS	600	-	"	IV	SEC	* 35HS	600	-	"
V	SHIELD	.001CU	1	-	"	V	SHIELD	.001CU	1	-	"
VI	PRI	* 41SS	2190	-	"	VI	PRI	* 41SS	2190	-	"
VII	SHIELD	.001CU	1	-	"	VII	SHIELD	.001CU	1	-	"
VIII	SEC	* 35HS	600	-	"	VIII	SEC	* 35HS	600	-	"
IX	SHIELD	.001CU	1	-	"	IX	SHIELD	.001CU	1	-	"



BOBBIN ~~4-1382~~
 CORE DU-1 29 GA "48" ALLOY 1X1
 CASE RTD-75-125 (FUSED TIN FINISH)
 TERMINAL ~~QMS-25-2 HEADED~~
 NO. ET 10013-1
 DATE 9-18-69
 CUSTOMER NO.
 SERVICE 8K TO 600A50 Ω

BILL OF MATERIAL				USED ON
QTY.	DESCRIPTION	MANUFACTURER	COST	
.097 LB	DU-1 .014 "48" ALLOY LAM.	MAGNETICS, INC.	.70	
2	4-1382 BOBBIN S	PREMTECH.	.14	
1	RTD-75-125 CASE	ARNOLD ENG CO.	.23	
6	QMS-25-2 HEADED	DEVICE SEALING CO.	.95	
	MAGNET WIRE	REA MAGNET WIRE CO.	.15	
.344 FT.	.004 X 4" AA CONNETIC SHIELD	PERFECTION MICA CO.	.98	

DO NOT SCALE

SCALE _____ DATE _____

DRAWN _____

CHECKED _____

PROJECT ENG *SMR* 9/18/69

APPROVED _____

ELECTRODYNE CORPORATION
 7315 Greenbush Avenue • North Hollywood • Calif. 91605
 Phone: (213) 875-1900 • Cable Address: "ELECTRODYNE"

TITLE: TRANSFORMER, BRIDGING

CODE IDENT NO. _____ SHEET ___ OF ___

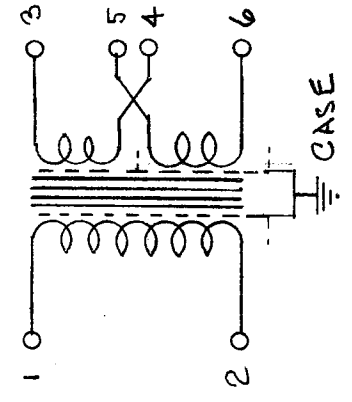
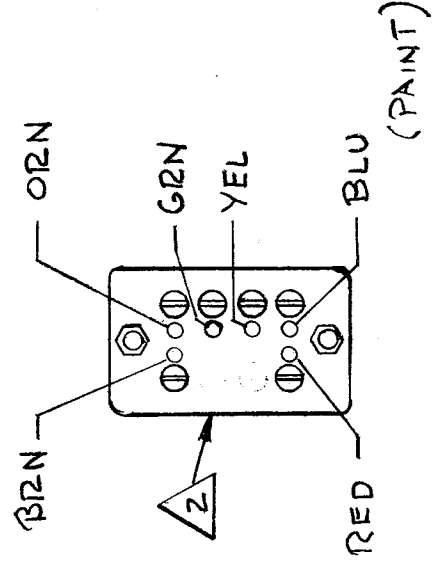
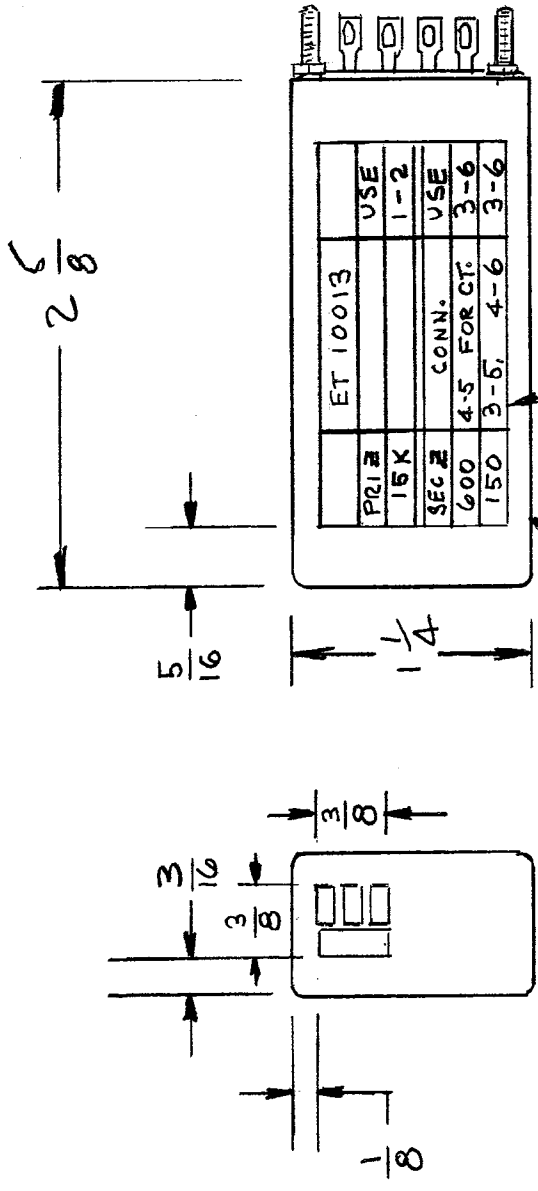
SIZE: _____ DRAWING NO. ET 10013-1

REV. _____

THIS DOCUMENT CONTAINS PROPRIETARY INFORMATION WHICH SHALL NOT BE REPRODUCED, TRANSFERRED TO OTHER DOCUMENTS, DISCLOSED TO OTHERS, USED FOR MANUFACTURING OR ANY OTHER PURPOSE WITHOUT PRIOR WRITTEN PERMISSION OF ELECTRODYNE CORP.

REVISIONS

LTR	DATE	BY	CHANGE	APP



- 6. SHIELD - WRAP AROUND 111283.
- 5. SHIELD - CORE CAP - 111282 (2 REQ'D)
- 4. BOBBINS - THERMOTECH 4-384 (2 REQ'D)
- 3. CORE LAMINATIONS - MAGNETICS INC. DU-1 29 GA. 48" ALLOY 1X1
- 2. HEADER - 310825 - 2 - DEVICE SEALS INC.

NOTES: 1. CASE - ARNOLD ENGINEERING RTD-75-125 - FINISH - FUSED TIN.

TOLERANCES UNLESS OTHERWISE SPECIFIED	DECIMALS ± .010	FRACTIONS ± 1/4	NO. OF PC PER PROD
NOTES WHEN APPLICABLE			
DEBURR & BREAK SHARP EDGES			
DIMENSIONS TO APPLY BEFORE PLATING			
DIAMETERS TO BE CONCENTRIC WITHIN _____ T. I. R.			
MATERIAL			FINISH AS NOTED.
NEXT ASSY	USED ON		

ITEM NO.	PART NO.	DESCRIPTION	REQD
DO NOT SCALE		<p>ELECTRODYNE CORPORATION 7315 Greenbush Avenue - North Hollywood - Calif. 91605 Phone: (213) 875-1900 - Cable Address: "ELECTRODYNE"</p>	
SCALE	DATE		
DRAWN R. Kosinski	9/11/70	TITLE TRANSFORMER, TERMINAL I.D. ⚡	
CHECKED		SILKSCREEN-ET 10013	
PROJECT ENG EMR	9/11/70	CODE IDENT NO.	SHEET ___ OF ___
APPROVED		SIZE FINAL ASSEMBLY	DRAWING NO. 211281
		REV	

210828

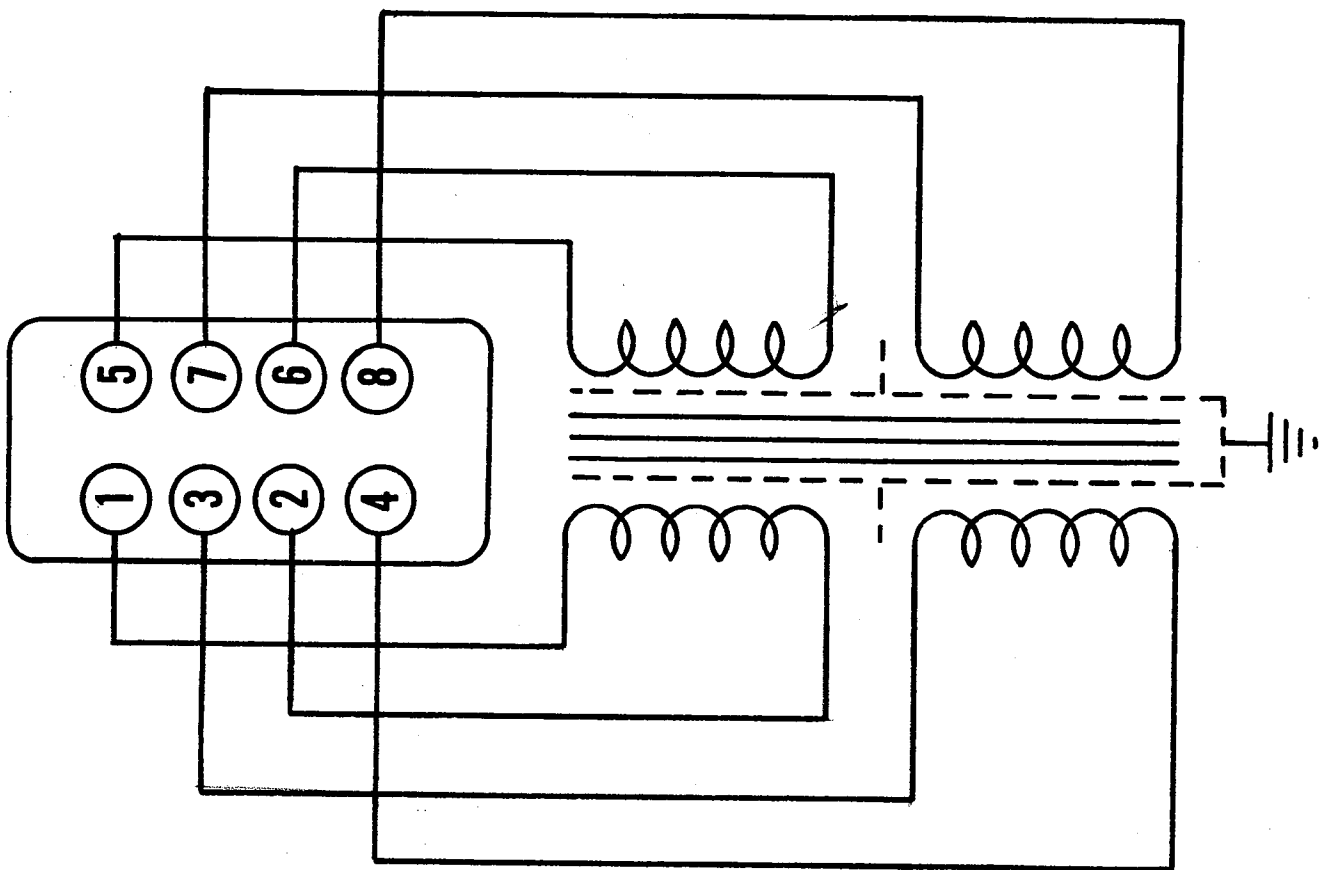
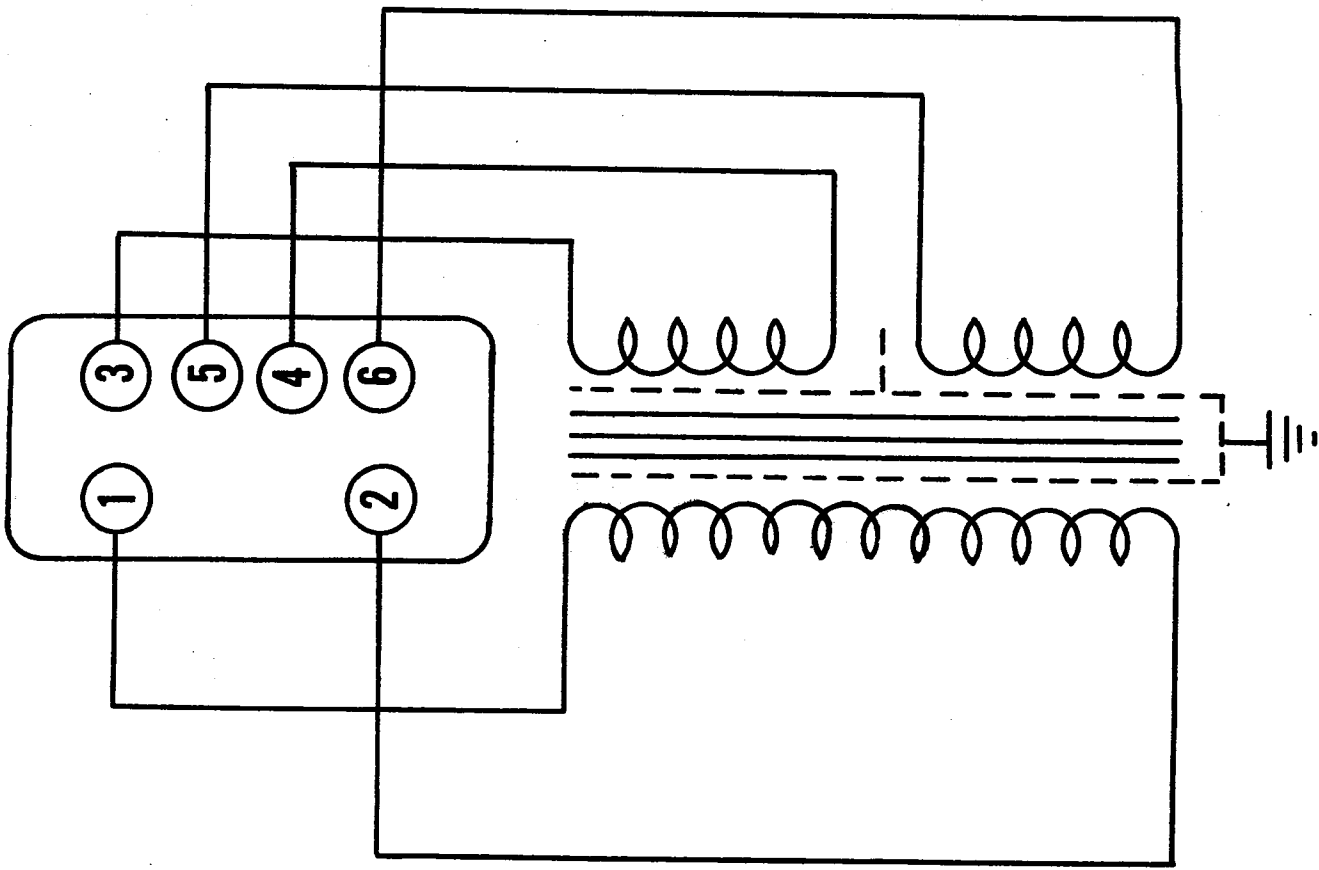
B

1 1

XMR SCHEMATIC
ET10002 ET10013

Vanna Stokoe 10/24/69

NONE



REV
DRAWING NO.

REVISIONS		
LTR	DATE	BY
		CHANGE
		APPD

PRIMARY IMPEDANCE - 15K
 LOAD IMPEDANCE - 150 or 600 OHMS
 FREQUENCY RESPONSE - ± 0.5 DB 20 H_Z TO 20 KH_Z
 MAX OPERATING LEVEL - +24 DBM
 THD - 0.2% 30 H_Z TO 20 KH_Z
 PRIMARY INDUCTANCE - 600 HENRYS MIN
 LEAKAGE INDUCTANCE - 30 MICROHENRYS MAX
 RESONANT FREQUENCY - 60 KH_Z MIN
 PRIMARY DCR (MEASURED BETWEEN TERMINALS 1-2) 2200 OHMS MAX
 SECONDARY DCR (MEASURED BETWEEN TERMINALS 3-4) 62 OHMS MAX
 SECONDARY DCR (MEASURED BETWEEN TERMINALS 5-6) 62 OHMS MAX
 ELECTROSTATIC SHIELDS BETWEEN ALL WINDINGS
 HUM PICK UP EQUIVALENT TO 70 DB OF MAGNETIC SHIELDING

		DO NOT SCALE	
		SCALE	
		DRAWN	
		CHECKED	
		PROJECT ENG	
NEXT ASSY	USED ON	APPROVED	



TITLE
 SPECIFICATIONS - ELECTRODYNE ET-10013
 LINE BRIDGING TRANSFORMER

SIZE	FINAL ASSY	DRAWING NO.	REV
		111285	