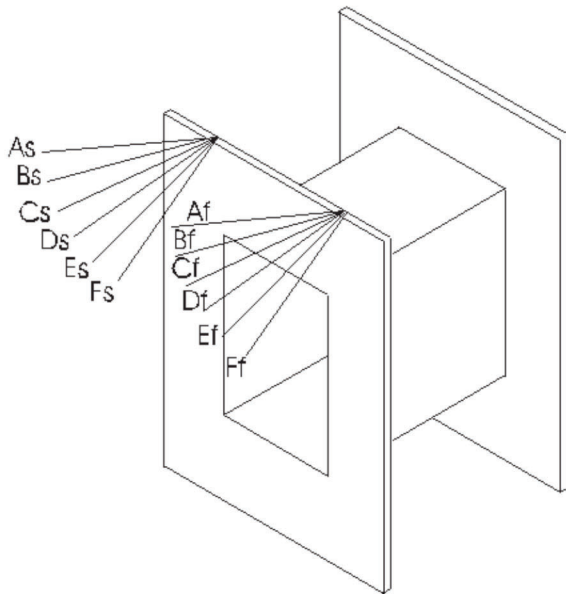




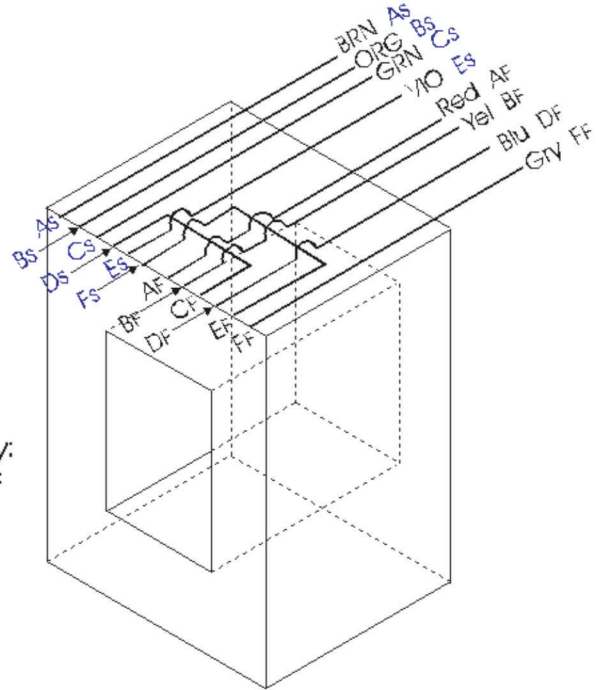
Reichenbach Engineering

4487 Ish Drive  
 Simi Valley, California 93063  
 (818) 993-4644

<b>Bobbin:</b>	5/8 x 5/8	<b>Part No:</b>	CMOH-2 H, L or S
<b>Core:</b>	625 EI	<b>Date:</b>	May 4, 2005
<b>Case:</b>	CF-H	<b>Customer:</b>	
<b>Terminals:</b>	9" 26 ga	<b>Service:</b>	150/600 to 600+600
<b>Embedment:</b>			Hex-filar Output



Tie & Bury:  
 Ds to CF  
 Fs to EF



	Use:	Notes:	Wire:	Turns	Tap	Insulation
I		/////				1 L Mylar Tape
II		a b c d e f				1 L P 24
III						

Notes:

