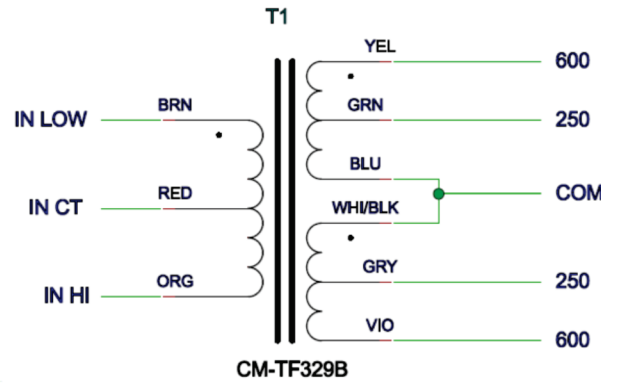
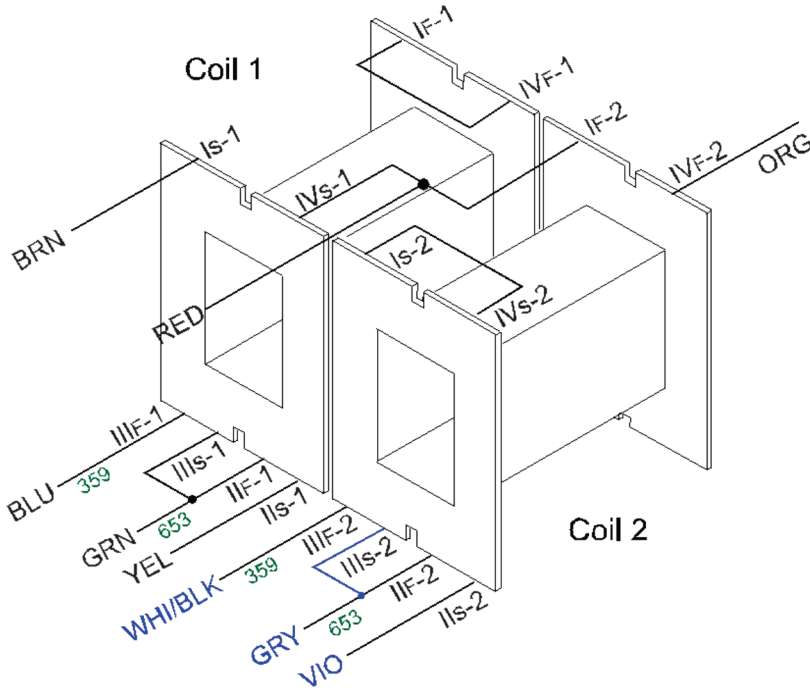


Bobbin:	9328-01-GFG TJ Assemblies	Part №:	TF129 / TF-329B	Rev D
Core:	UI375 - Steel	Date:	August 11, 2023	
Case:	Open	Customer:		
Terminals:	26awg stranded 9"	Service:	Output Transformer	
Embedment:	Acrylic varnish		15K : 250/600Ω	Langevin



	Use	Notes	Wire	Turns	Tap	Insulation	Setup
I	Pri	Pi	40spn	1292 {647/Pi}		1L #56 tape +5L plain tape HV TAPE corners	w = 13.5mm Pitch = 0.130