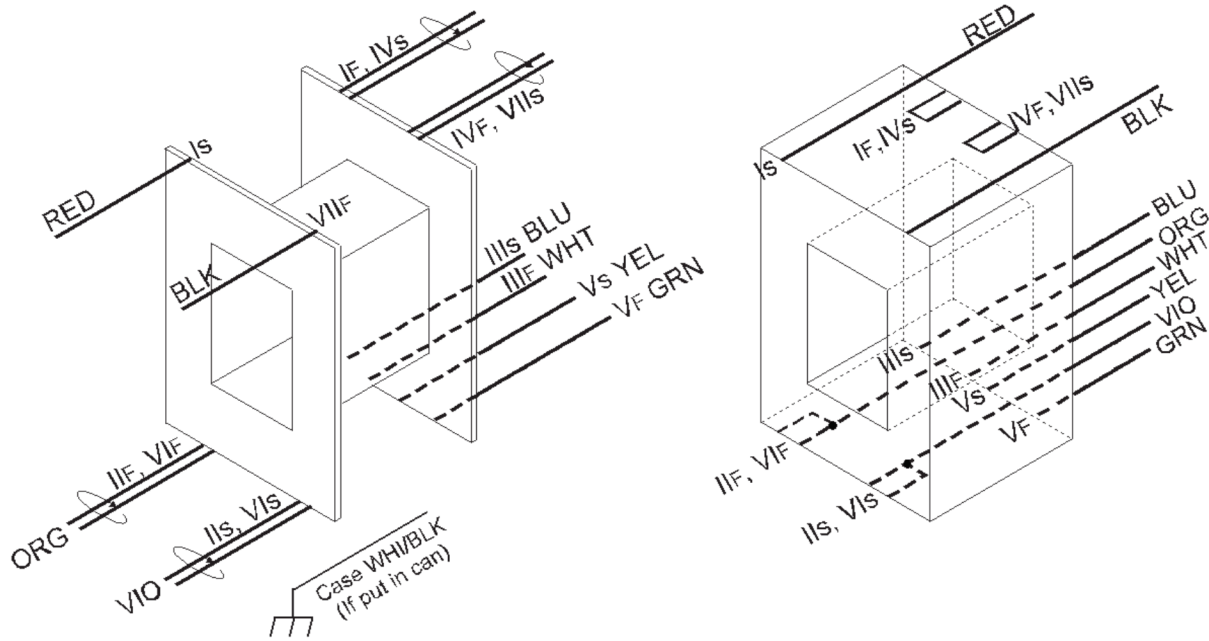




4487 Ish Drive  
 Simi Valley, California 93063  
 (818) 993-4644

Reichenbach Engineering

<b>Bobbin:</b>	EI-625 Plain	<b>Part №:</b>	CM-TF321B-B2
<b>Core:</b>	EI-625 Steel (M6 29 ga)	<b>Date:</b>	May 12, 2023
<b>Case:</b>	Open -Vertical channel frame	<b>Customer:</b>	
<b>Terminals:</b>	Lead wires 26awg	<b>Service:</b>	Langevin TF-321B Output transformer
<b>Embedment:</b>	Acrylic		



	Use:	Notes:	Wire:	Turns	Tap	Insulation	Setup
I	Pri	Note 1	42 spn	2060	Layer Wound (10)	4L Tape Mylar	W=21.00 P=0.101