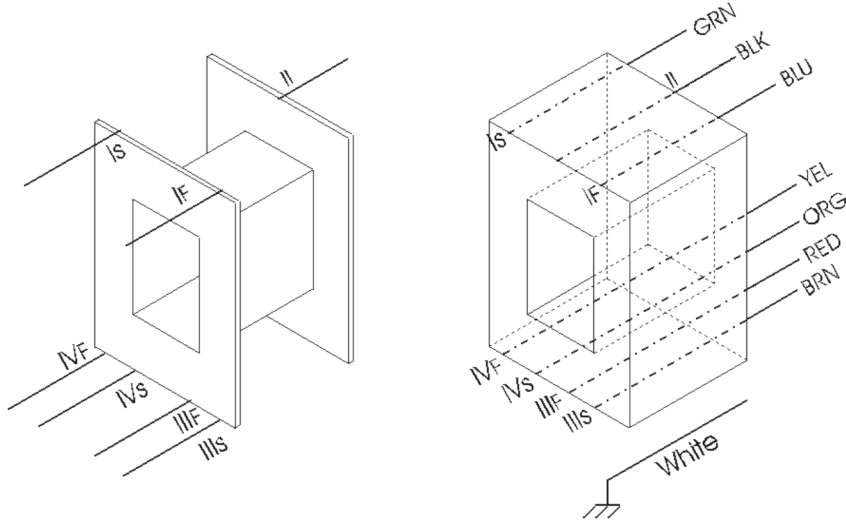




4487 Ish Drive.
 Simi Valley, CA 93063
 (818) 993-4644

Reichenbach Engineering

Bobbin:	1/4 x 3/8 GF	Part No:	CM-MI85
Core:	2425LE 8414	Date:	May 26, 2023
Case:	2 cans: Outer is "C-TB" Lead Wires	Customer:	Rbt. Mokry
Terminals:	26ga 9"	Service:	150/600 : 15K
Embedment:	Superior Plastics Epoxy		Sescom Mic Input Transformer



	Use:	Notes:	Wire:	Turns	Tap	Insulation	
I	SEC		44 spn	6700		4L Mylar Tape	W=10.25 P=0.062