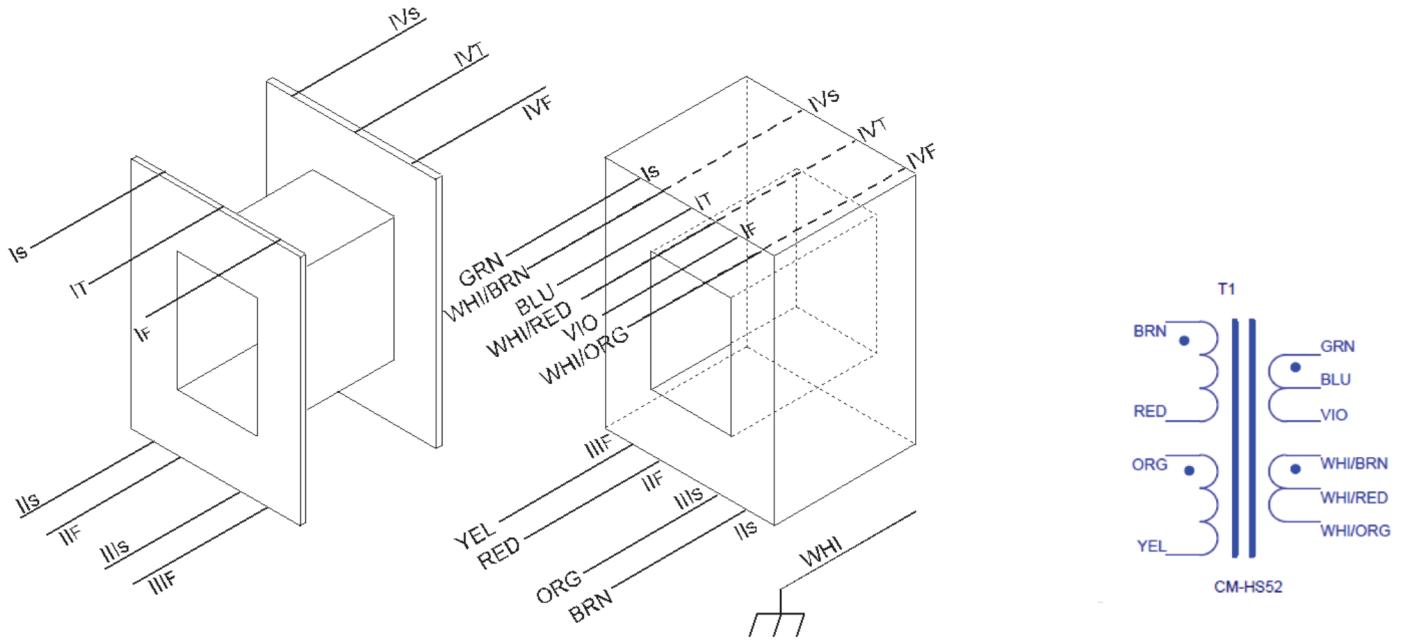




4487 Ish Drive
 Simi Valley, California 93063
 (818) 993-4644

Reichenbach Engineering

Bobbin:	1/2" x 1" Plain TJ Ass. 6258	Part No:	CM-HS52 Rev B - Undertone
Core:	EI-50 29M6	Date:	July 12, 2021
Case:	{OL-7540 Steel can OPTIONAL}	Customer:	
Terminals:	26 gauge 13" & 20" Note 2	Service:	
Embedment:	Dolphs varnish		Triad HS-52 Output



	Use:	Notes	Wire:	Turns	Tap	Insulation
I	Sec			253	94 Layer wound 1-mil Mylar 4pcs x 4.5"	L1=47turns Pitch=0.383 L2=47 turns Pitch=0.383 L3=53 turns Pitch=0.340 TAP L4=53 turns Pitch=0.340 L5=53 turns Pitch=0.340 6 layers 56 tape W=18.00