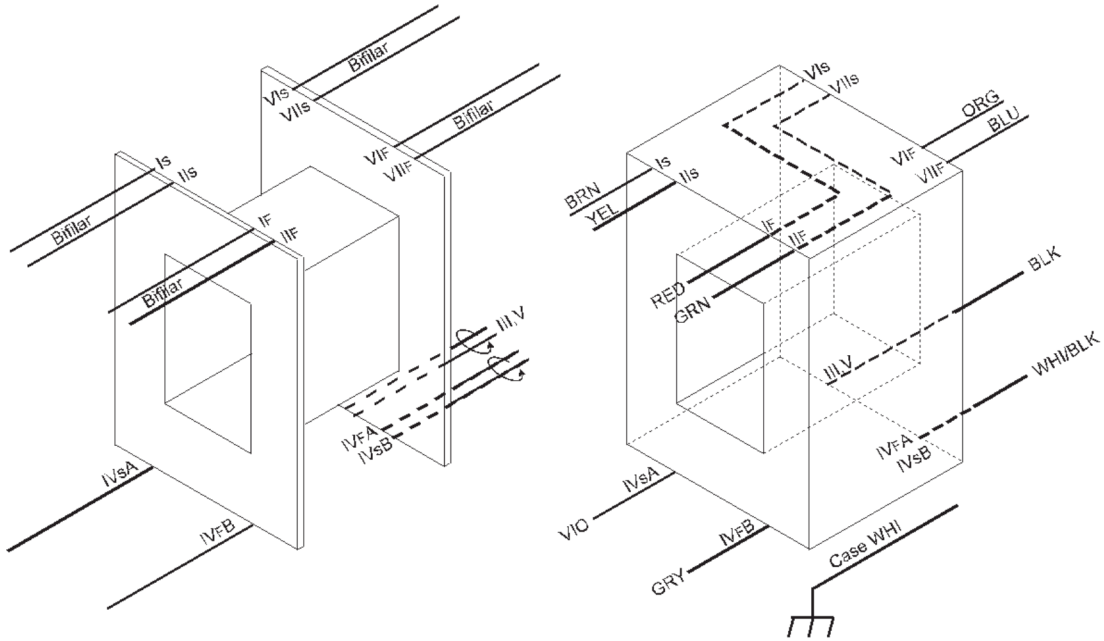




9050 Independence Ave.  
 Canoga Park, California 91304  
 ☎ (818) 993-4644 ☎ (818) 993-4604

<b>Bobbin:</b>	3/8"x3/8" GF	<b>Part No:</b>	CM-E14650
<b>Core:</b>	375 EI 8414	<b>Date:</b>	October 17, 2016
<b>Case:</b>	ZMC 132-1550 MU	<b>Customer:</b>	Ryan Feves
<b>Terminals:</b>	26 ga. 13"	<b>Service:</b>	37.5/150/600:60K UREI EQ
<b>Embedment:</b>	Epoxy		Electro Engineering Works E-14560



	USE	NOTES	WIRE	TURNS	TAP	INSULATION
I	Pri - A		37 spn	150		Layer wound 3 Layers W=14.30 P=0.286 Offset = 1.60