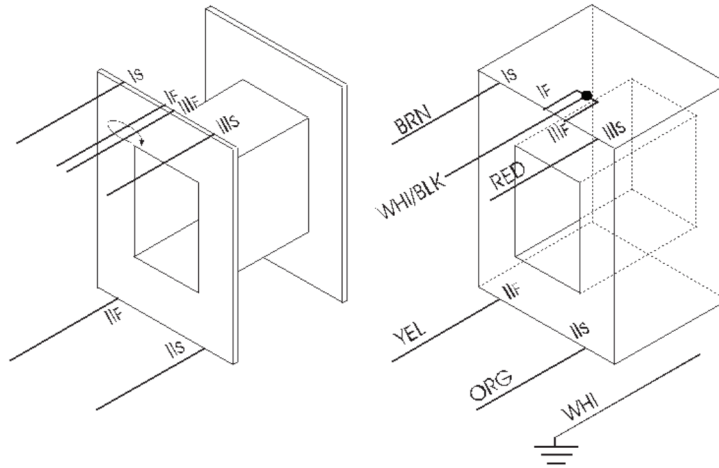




Reichenbach Engineering

9050 Independence Ave.  
 Canoga Park, California 91304  
 ☎ (818) 993-4644 ☒ (818) 993-4604

<b>Bobbin:</b>	1/4 x 3/8	<b>Part №:</b>	CM-9720A   <span style="float: right;">Rev B</span>
<b>Core:</b>	2425 LE 8414	<b>Date:</b>	September 22, 2017
<b>Case:</b>	OL1480-1.00-M/M	<b>Customer:</b>	Rivera Research
<b>Terminals:</b>	BU-26-731 (26 AWG) 9"	<b>Service:</b>	Cathode Follower Output
<b>Embedment:</b>	E-Cast F-82		4:1 +19.2dB@50Hz 7.07V RMS Ref. CM-9336 10 V P Rev A Can ZMC 131-.9



	Use:	Notes:	Wire:	Turns	Tap	Insulation ++