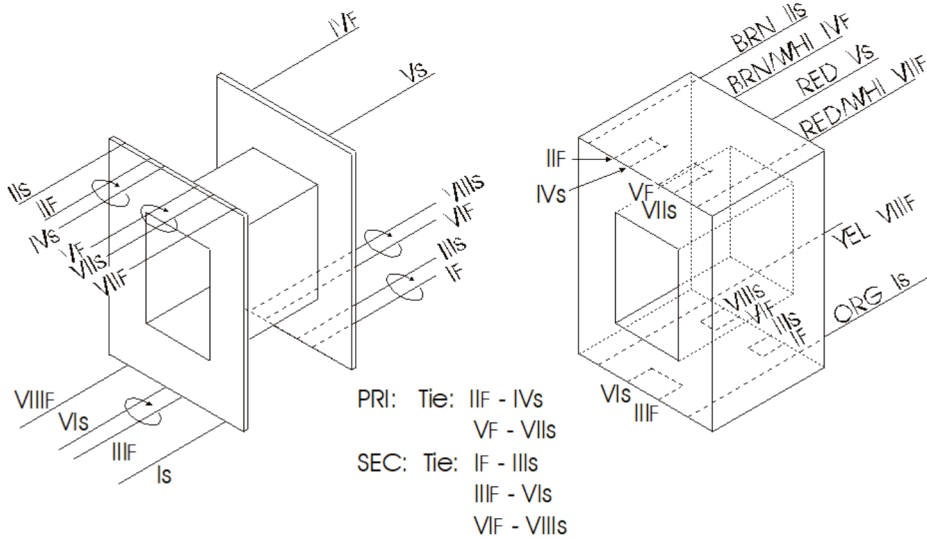




9050 Independence Ave.
 Canoga Park, California 91304
 ☎ (818) 993-4644 ☒ (818) 993-4604

Bobbin:	3/4" x 1"	Part №:	CM-9661A
Core:	EI 75 50%HiNi 50% Steel	Date:	September 29, 2010
Case:	CF (H or V CF)	Customer:	
Terminals:	11" leads 22 ga UL 1015	Service:	30K to 600Ω +24dBm
Embedment:	(No end bells)	Ref:	RE-9255-VCF & RE-9661-HCF



	Use:	Notes:	Wire:	Turns	Tap	Insulation
I	Sec		34 spn	138		2 L Mylar tape