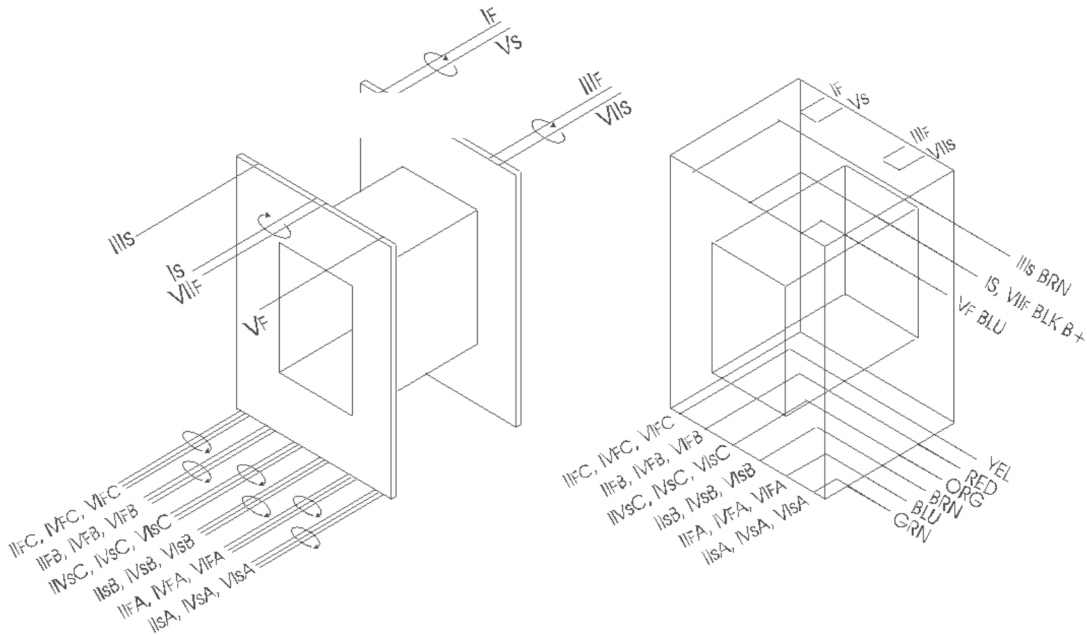




9050 Independence Ave.
 Canoga Park, California 91304
 ☎ (818) 993-4644 ☎ (818) 993-4604

Bobbin:	1" x 1"	Part №:	CM-9600T Rev A V2.0
Core:	EI 100 29M6 1x1	Date:	March 16, 2017
Case:	End Bells Vert VO100 G 2 1/32 Deep	Customer:	Groove Tubes
Terminals:	Pri: 11" 22 ga UL 1015, Sec: 11" 22 ga UL 1061	Service:	Mic Pre Output 6W 15k CT to 150,150; Tert -10dBu
Embedment:			(Tertiary 26.5:1)



	Use:	Notes:	Wire:	Turns	Tap	Insulation
I	Pri	ABC	33 hpn	770		2L P Mylar, 1L 1mil Mylar Tape