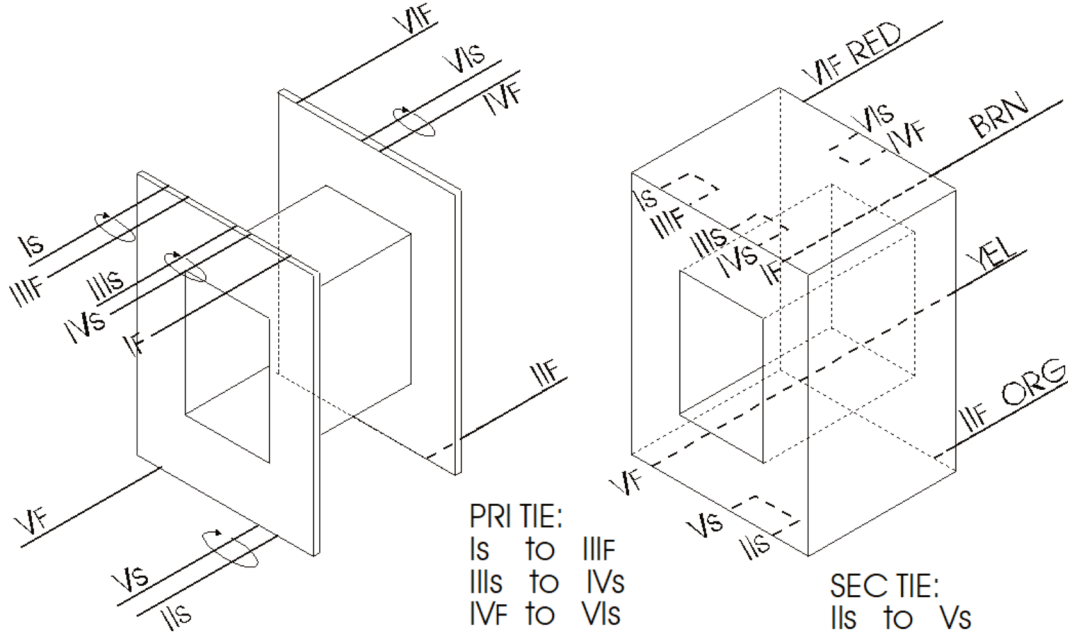




9050 Independence Ave.
 Canoga Park, California 91304
 ☎ (818) 993-4644 ☒ (818) 993-4604

Bobbin:	5/8 x 3/4 GF	Part №:	CM-5227
Core:	EI 625 8414 71 + steel	Date:	June 18, 2015
Case:	VCF (vertical) Note 3	Customer:	
Terminals:	13" - 26 ga	Service:	Tube Output 5:1
Embedment:	Acrylic		15K : 600



	Use:	Notes:	Wire:	Turns	Tap	Insulation
I	Pri		36 spn	750		3L Plain Mylar 1 mil W=21.25 P=0.170