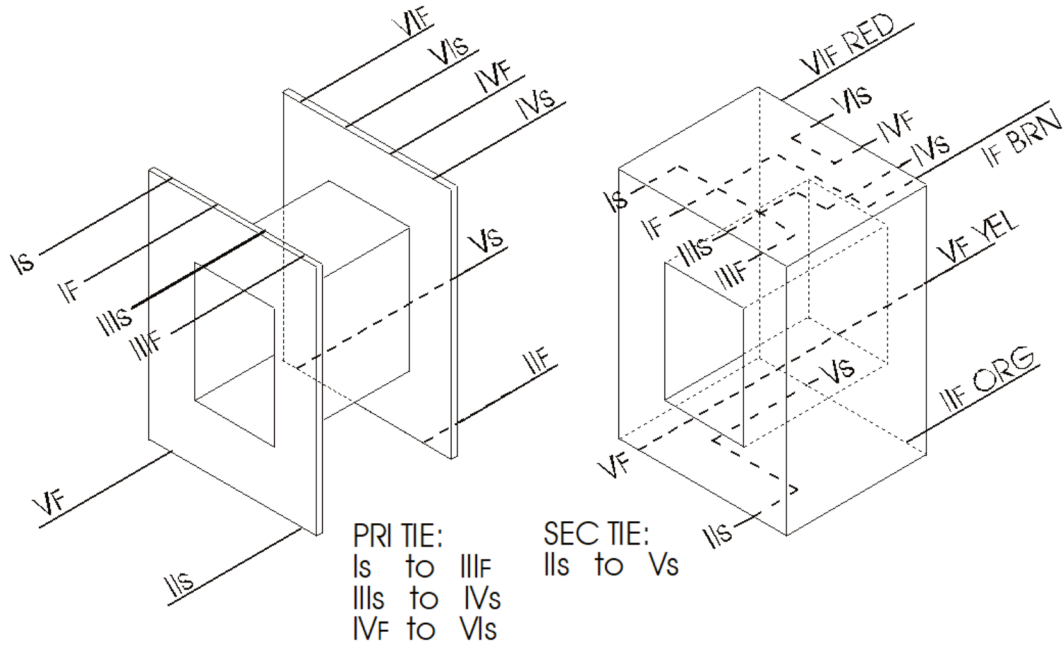




9050 Independence Ave.
 Canoga Park, California 91304
 ☎ (818) 993-4644 ☒ (818) 993-4604

Bobbin:	5/8 x 3/4 GF	Part No:	CM-5226
Core:	EI 625 9414 71 + steel	Date:	February 14, 2015
Case:	VCF (vertical)	Customer:	
Terminals:	9" - 26 ga	Service:	Tube Output 3:1
Embedment:	Acrylic		5.4K : 600



0.10 Saddle

	Use:	Notes:	Wire:	Turns	Tap	Insulation
I	Pri		36 spn	750		3L Plain Mylar 1 mil W=21.25 P=0.170