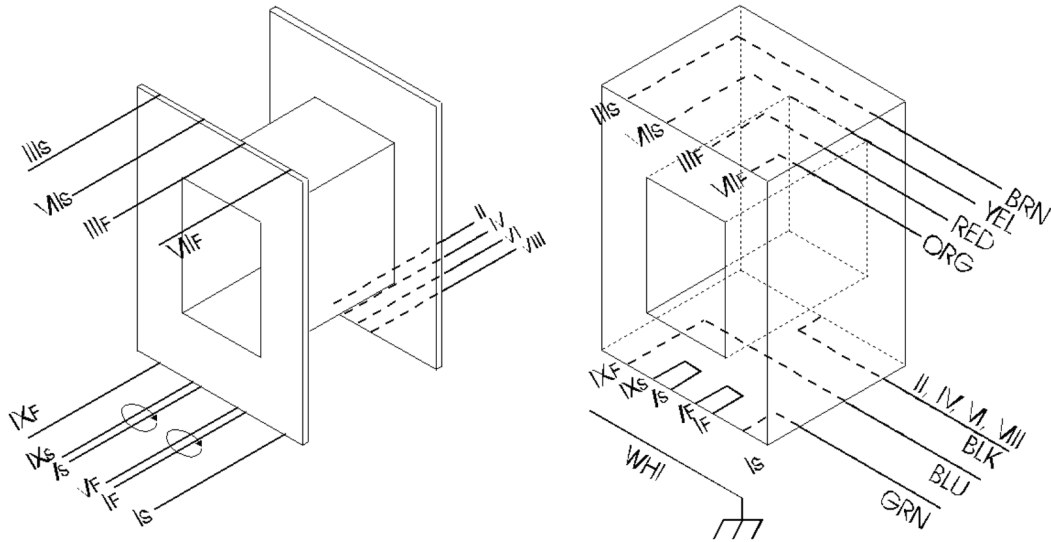




9050 Independence Ave.  
 Canoga Park, California 91304  
 ☎ (818) 993-4644 ☎ (818) 993-4604

<b>Bobbin:</b>	3/8"x3/8" GF	<b>Part No:</b>	CM-4962
<b>Core:</b>	375 EI 8414	<b>Date:</b>	September 23, 2014
<b>Case:</b>	ZMC 132-1550 MU	<b>Customer:</b>	Bardashev
<b>Terminals:</b>	26 ga. 13"	<b>Service:</b>	1/2:10 Mic input
<b>Embedment:</b>	Superior 3-part Epoxy		Telefunken



	Use:	Notes:	Wire:	Turns	Tap	Insulation
I	Sec	Pi x 2	42 spn	1892		-> 1 L Mylar Tape 4L P Mylar
						W <sub>tot</sub> = 16.50 P = 0.119 W = 7.50 Offset 1 = 0.25 Offset 2 = 8.750