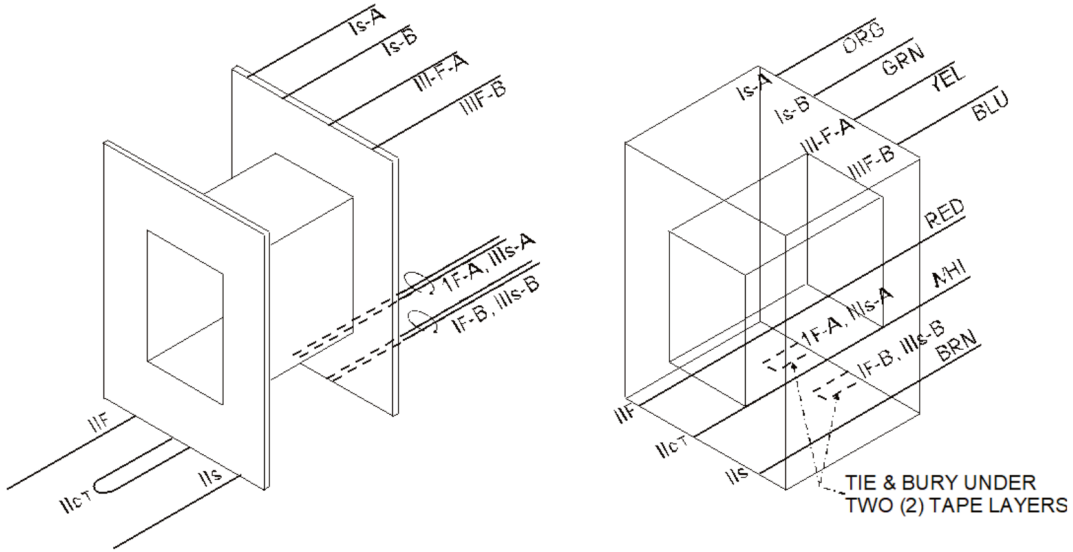




9050 Independence Ave.
 Canoga Park, California 91304
 ☎ (818) 993-4644 ☎ (818) 993-4604

Bobbin:	5/8 x 5/8	Part №:	CM-4826
Core:	EI-625 29 M6 Steel	Date:	May 25, 2017
Case:	Channel frame - Horizontal	Customer:	
Terminals:	13" 26ga	Service:	9.6K : 600 + 600 Tertiary
Embedment:	5/8" Vertical channel frame		4:1+1 Output



	Use:	Notes:	Wire:	Turns	Tap	Insulation
I	Sec	// bifilar	36 spn x 2	250½		2L Mylar Tape W=21.10 P=0.338