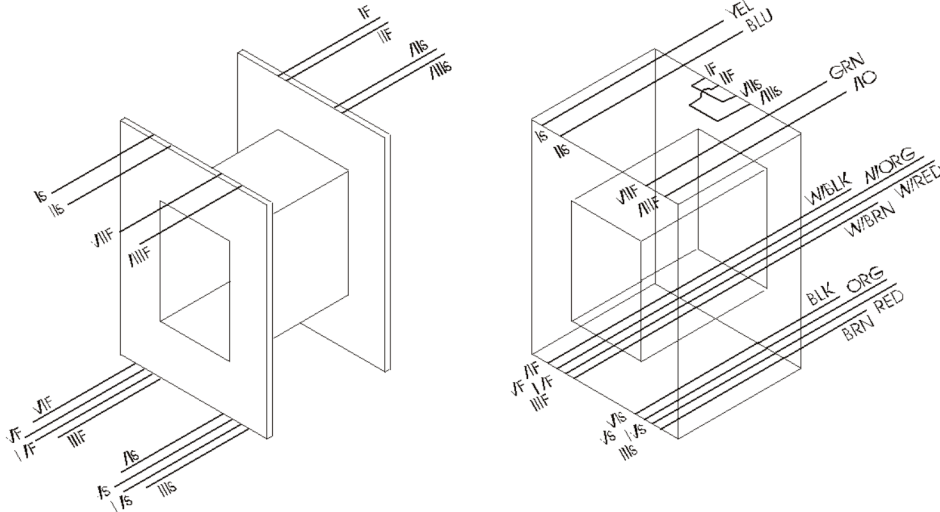




9050 Independence Ave.  
 Canoga Park, California 91304  
 ☎ (818) 993-4644 ☎ (818) 993-4604

<b>Bobbin:</b>	1/2" x 1/2"	<b>Part No:</b>	CM-28122
<b>Core:</b>	50 EI 29M6 Steel	<b>Date:</b>	February 16, 2009
<b>Case:</b>	Channel Frame + 2-hole Shields Bahrs SH-1	<b>Customer:</b>	Marquette
<b>Terminals:</b>	14" min leads 26 ga	<b>Service:</b>	Output 37.5*4 x 150*2 1+1+1+1:2+2
<b>Embedment:</b>		Langevin AM-16	ref.: Langevin TF 324-B



	Use:	Notes:	Wire:	Turns	Tap	Insulation
I	Sec	//	35 SPN	510		
II	Sec	//	35 SPN	510		1 L Mylar Tape