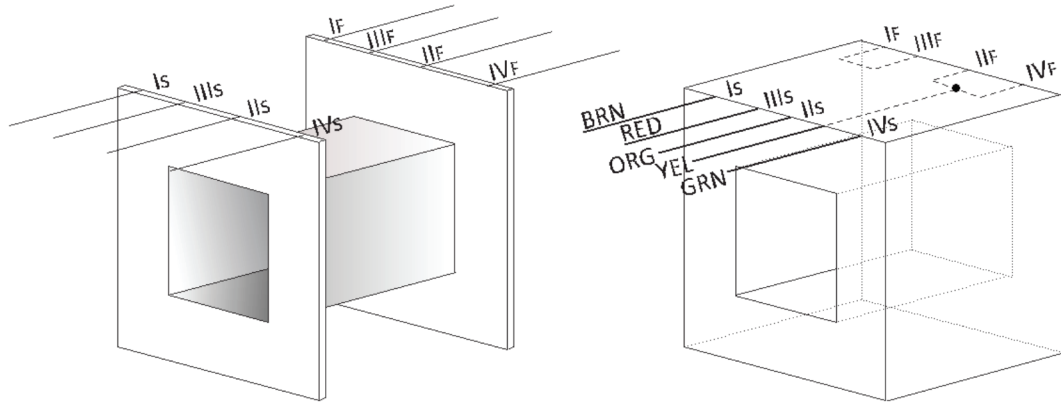




4487 Ish Drive
 Simi Valley, CA 93063
 (818) 993-4644

Bobbin:	3/8" x 3/8" Plain	Part No:	CM-25925
Core:	EI-375 Nickel	Date:	September 25, 20253/8
Case:	(Open)	Customer:	
Terminals:	26awg 9"	Service:	C12 Output transformer
Embedment:	Acrylic varnish		Emulate Henry 2148



	Use	Notes	Wire	Turns	Tap	Insulation	
I	PRI	2-Pi	40spn	2,272	{1,126/Pi}	2L Tape	Offset from left: 0.5mm W=7.5 Offset2=8.5P=0.99