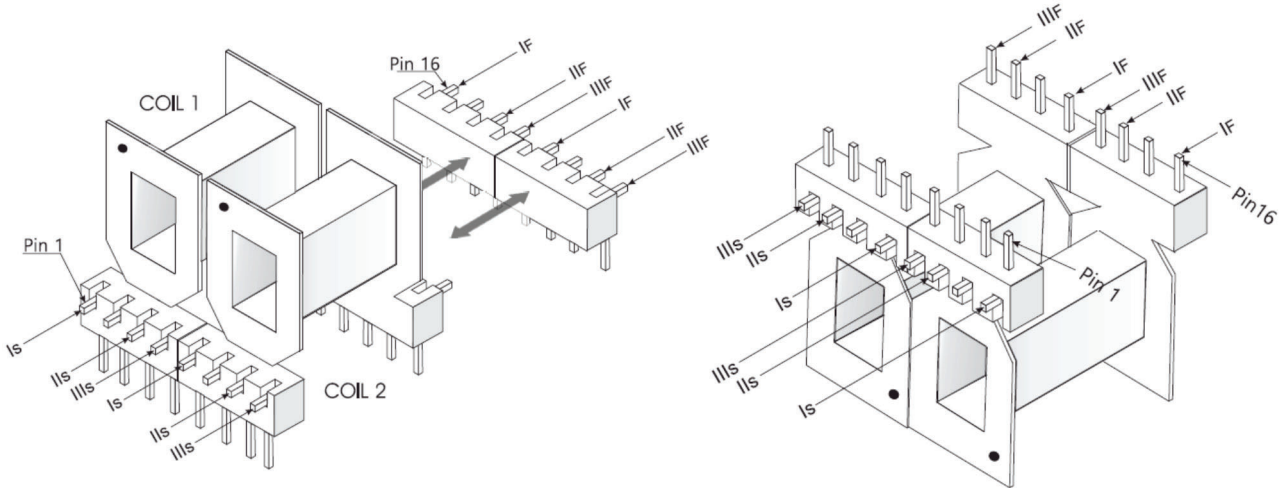




4487 Ish Drive
 Simi Valley, CA 93063
 (818) 993-4644

Reichenbach Engineering

| | | | |
|-------------------|---------------|------------------|---------------------------|
| Bobbin: | 124PC 8- Pins | Part No: | CM-24603 |
| Core: | 124DU | Date: | June 3, 2024 |
| Case: | Open | Customer: | Warm Audio |
| Terminals: | PC Pins | Service: | 2 : 1+1 |
| Embedment: | Acrylic spray | | Line Output. Hum-bucking. |



| | Use | Notes | Wire | Turns | Tap | Insulation | |
|----|-----|-------|-------|-------|-----|------------|-----------------|
| I | PRI | | 38spn | 550 | | | W=10.16 P=0.119 |
| II | SEC | | 20spn | 275 | | | P=0.119 |