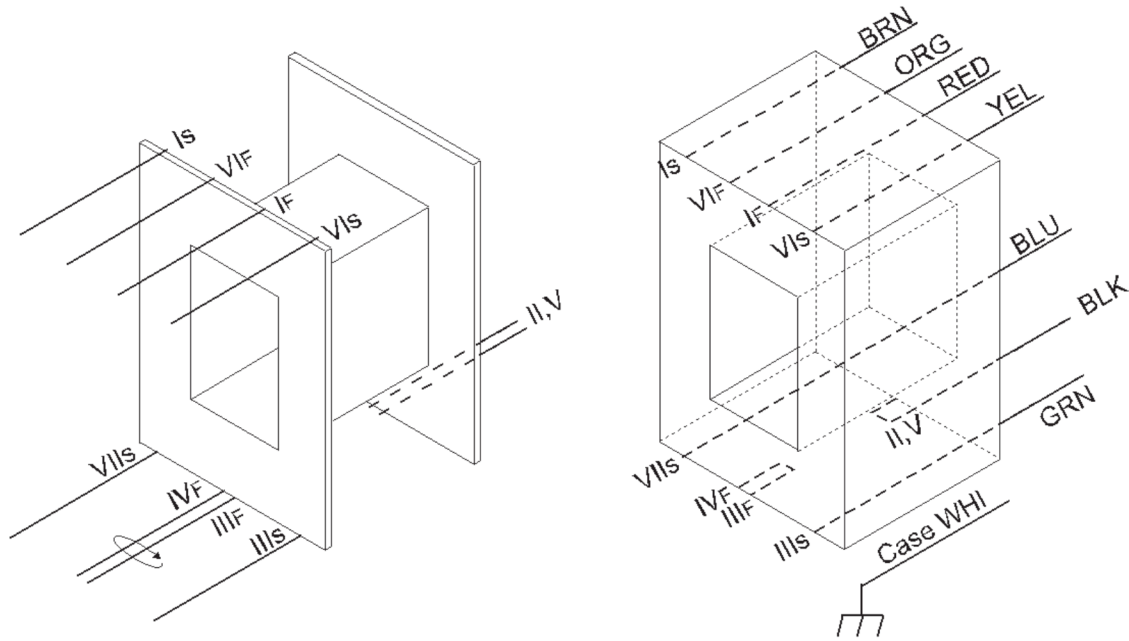




4487 Ish Drive.
 Simi Valley, California 93063
 (818) 993-4644

Reichenbach Engineering

Bobbin:	1/4 x 3/8 PC - GF	Part №:	CM-23801
Core:	2425 LE Nickel	Date:	May 24, 2023
Case:	Mu-metal can	Customer:	
Terminals:	30awg 9"	Service:	MC
Embedment:	Epoxy		1: 5/10



	Use:	Notes:	Wire:	Turns	Tap	Insulation
I	Pri		32 spn	120		3 L Mylar Tape 1 mil W=10.0 P=0.333
II	Shld		001 Cu	1	1 5/8"	4 L " "