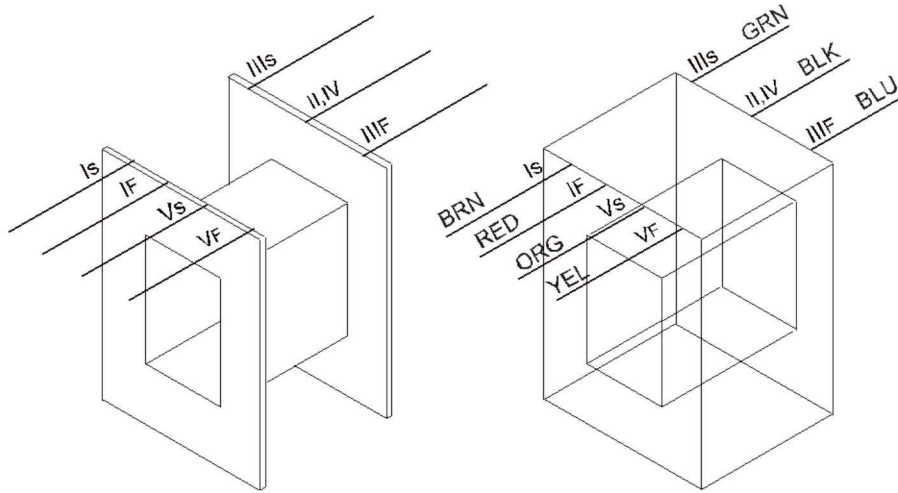




4487 Ish Drive
 Simi Valley, California 93063
 (818) 993-4644

Reichenbach Engineering

Bobbin:	5/8 x 5/8 Plain	Part No:	CM-2229	Rev B
Core:	EI-625 - 50/50 or Ni	Date:	March 26, 2022	
Case:	Covers SH-100 + 1 hole	Customer:	DW Fearn	
Terminals:	9" 26ga	Service:	10K : 600	
Embedment:	5/8" Horizontal channel frame			



	Use:	Notes:	Wire:	Turns	Tap	Insulation