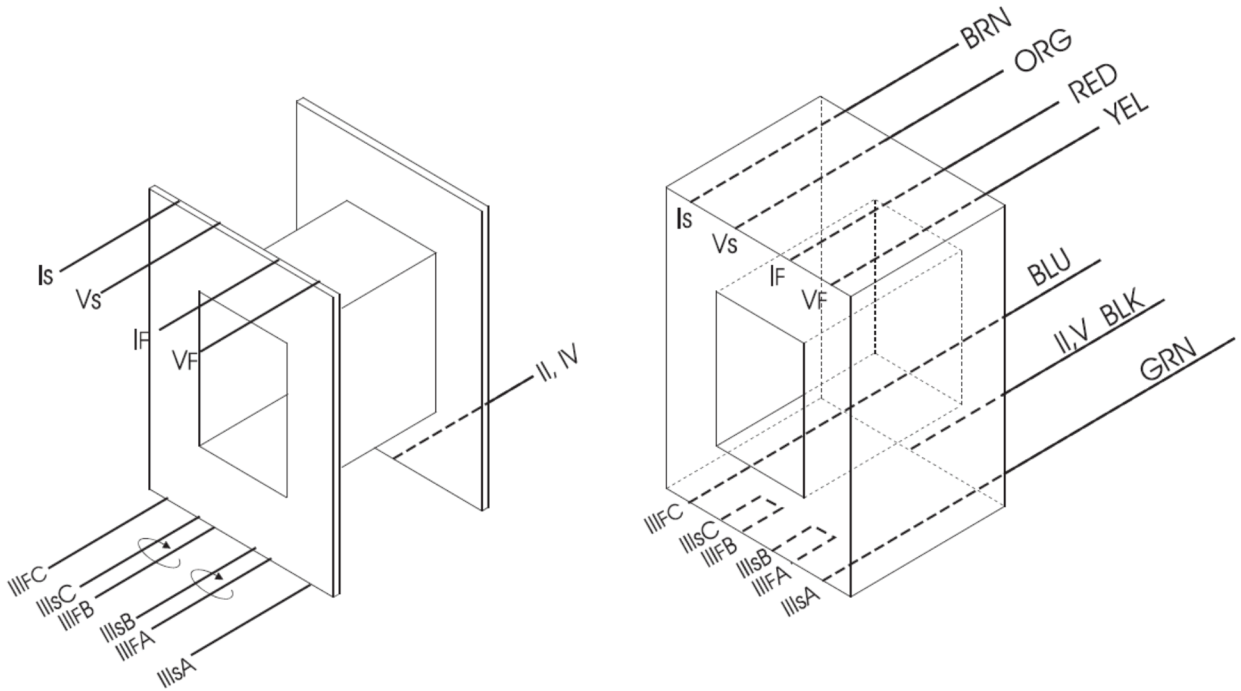




4487 Ish Drive
 Simi Valley, CA 93063
 (818) 993-4644

Reichenbach Engineering

| | | | |
|-------------------|---------------------------|------------------|----------------|
| Bobbin: | 5/8" x 3/4" | Part №: | CM-2133 |
| Core: | EI-625 Hi-Nickel | Date: | April 26, 2023 |
| Case: | Channel Frame + End Bells | Customer: | |
| Terminals: | 9" Leads 26ga | Service: | 10K:600 |
| Embedment: | | | |



| | Use: | Notes: | Wire: | Turns | Tap | Insulation | |
|---|------|--------|-------|-------|-----|------------|--|
| I | SEC | | 33spn | 400 | | 6L P Mylar | |