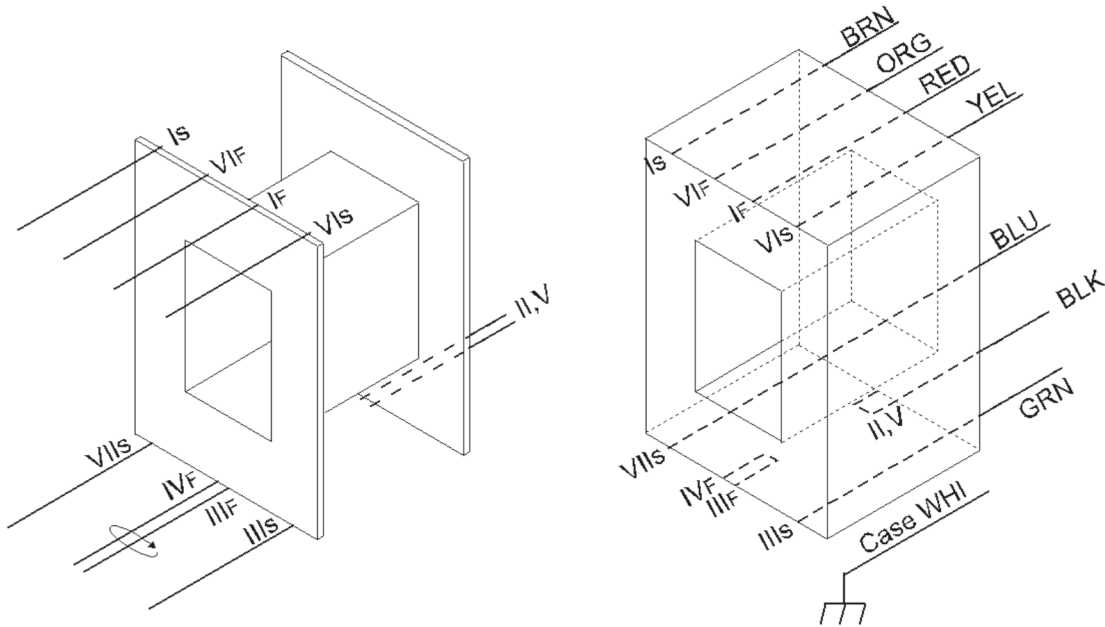




4487 Ish Drive.  
 Simi Valley, California 93063  
 (818) 993-4644

Reichenbach Engineering

<b>Bobbin:</b>	1/4 x 3/8 PC - GF	<b>Part №:</b>	CM-20721
<b>Core:</b>	2425 LE Nickel	<b>Date:</b>	May 24, 2023
<b>Case:</b>	Mu-metal can	<b>Customer:</b>	
<b>Terminals:</b>	30awg 9"	<b>Service:</b>	MC
<b>Embedment:</b>	Epoxy		1: 10/20



	Use:	Notes:	Wire:	Turns	Tap	Insulation
I	<u>Pri</u>		32 spn	120		3 L Mylar Tape 1 mil W=10.0 P=0.333
II	<u>Shld</u>		001 Cu	1	1 5/8"	4 L " "