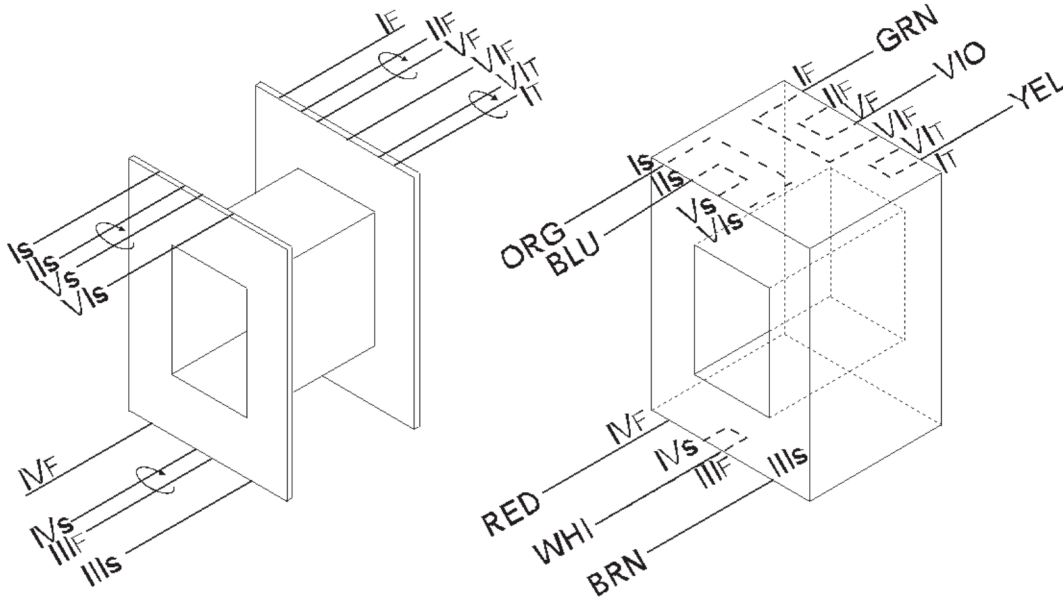




9050 Independence Ave.
 Canoga Park, California 91304
 ☎ (818) 993-4644 ☎ (818) 993-4604

Reichenbach Engineering

Bobbin:	3/4 x 3/4 Plain	Part No:	CM-19719
Core:	75 EI M6 29	Date:	July 19, 2019
Case:	VCF + Covers	Customer:	Dylan Wahl
Terminals:	16" x 20awg	Service:	Phones Output + Tertiary
Embedment:	Acrylic		18.5K:600+64+16



	Use	Notes	Wire	Turns	Tap	Insulation	
I	Sec		27spn	60	30	2L Mylar tape	W=25.25 P=0.421