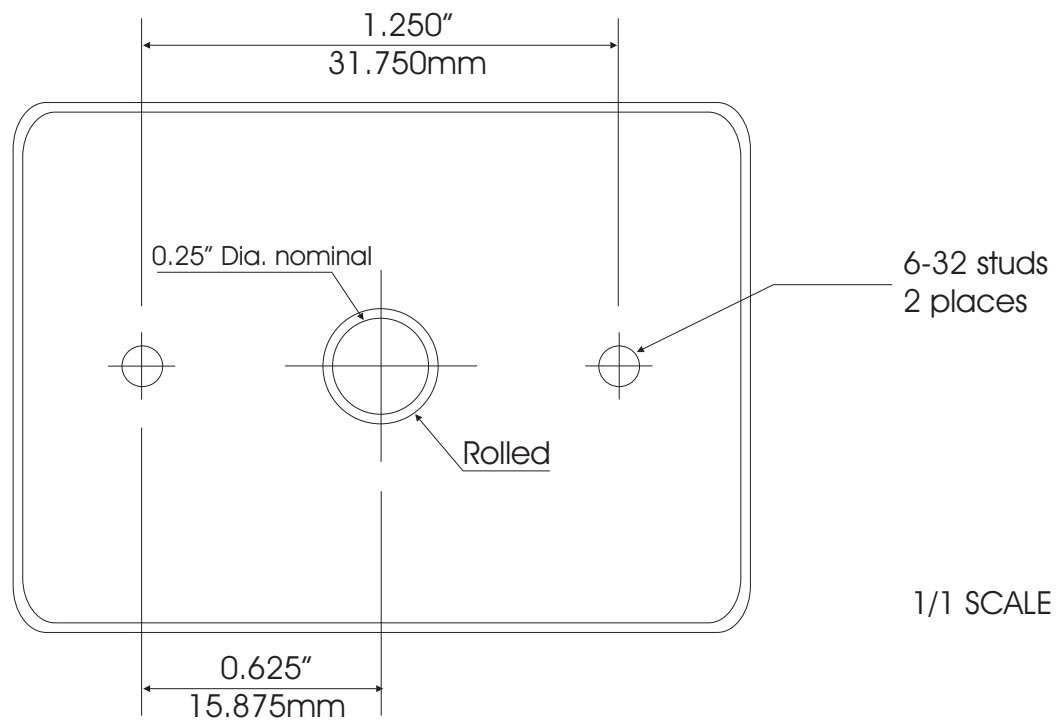


LID HOLES



D

D

C

C

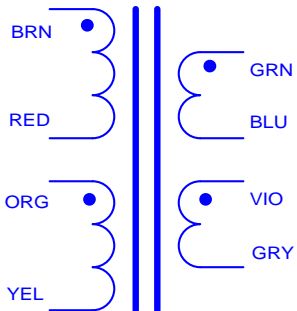
B

B

A

A

CM-16402



Title		
CM-16402		
Size	Document Number	Rev
A	<Doc>	<Rev Code>
Date:	Tuesday, May 12, 2015	Sheet 1 of 1