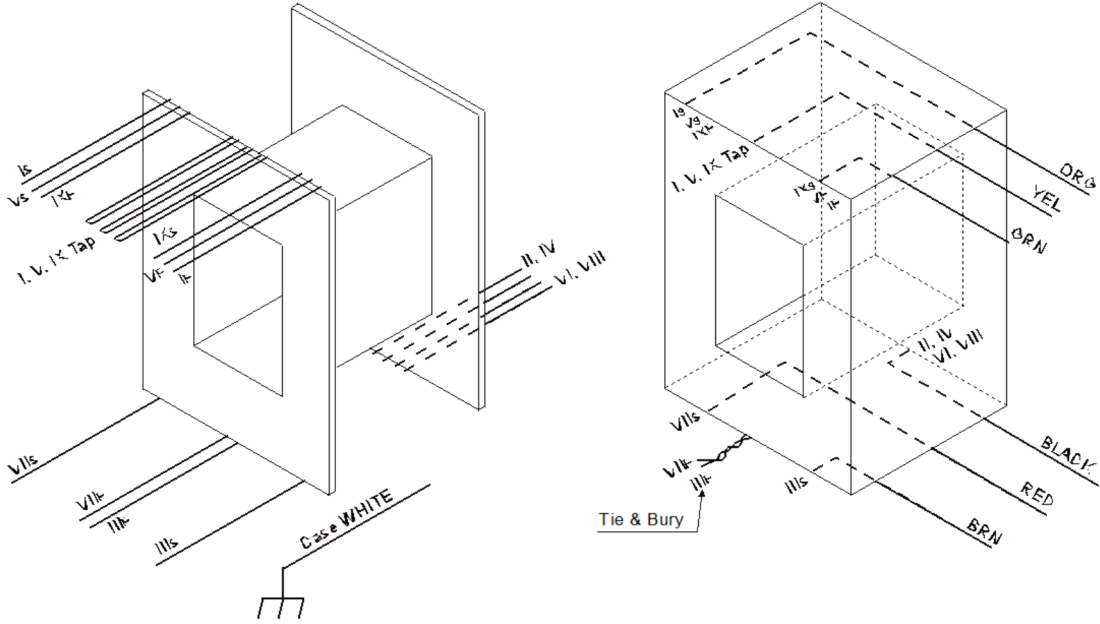




9050 Independence Ave.
 Canoga Park, California 91304
 ☎ (818) 993-4644 ☒ (818) 993-4604

Bobbin:	3/8"x3/8" GF	Part No:	CM-1521
Core:	375 EI 8414	Date:	February 10, 2015
Case:	ZMC 132-1550 MU	Customer:	Baer Amplification
Terminals:	26 ga. 13"	Service:	15K:600CT Output
Embedment:	URC F-82		5:1CT



	Use:	Notes:	Wire:	Turns	Tap	Insulation
I	Sec		36 spn	750	375	2 L. P Mylar 1 mil TMA 100