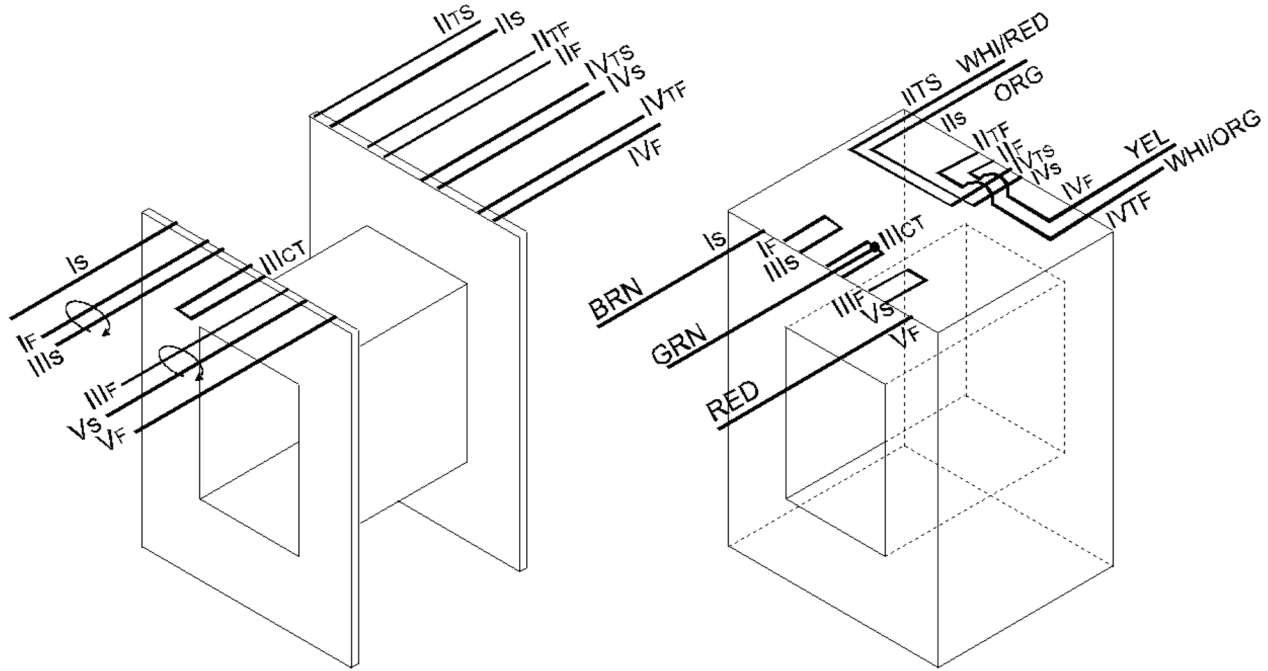




9050 Independence Ave.  
 Canoga Park, California 91304  
 ☎ (818) 993-4644 ✉ (818) 993-4604

<b>Bobbin:</b>	1 1/4" x 1 1/4"	<b>Part No:</b>	CM-13112	Rev B**
<b>Core:</b>	EI-125 29 M6 {Butt-stack 4.5 mil gap}	<b>Date:</b>	June 10, 2016	
<b>Case:</b>	NO Covers - NO LEGS	<b>Customer:</b>	Eddie Current	
<b>Terminals:</b>	22 ga x 12" lead wires	<b>Service:</b>	1.7K : 16Ω + tertiary	
<b>Embedment:</b>	Dolphs spray varnish		10.3CT:1+1	



	Use:	Notes:	Wire:	Turns:	Tap:	Insulation:	Setup:
I	Pri		35 hpn	471		3L P56 Tape	width = 43.25mm pitch=0.183mm