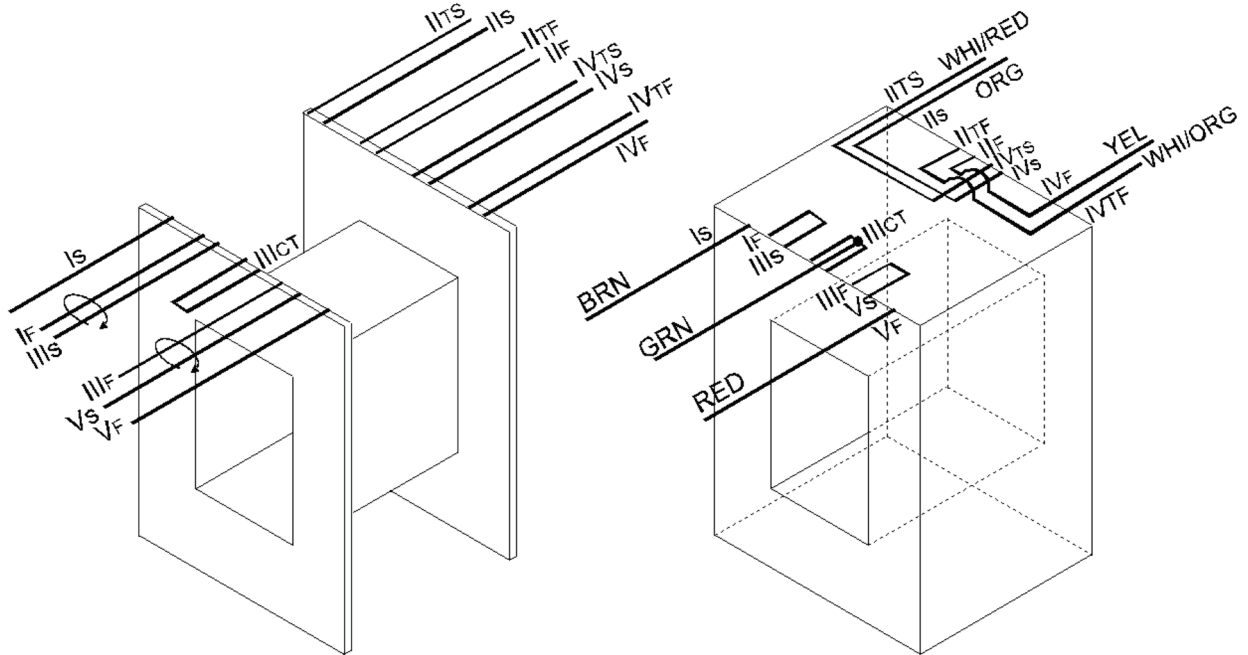




9050 Independence Ave.
 Canoga Park, California 91304
 ☎ (818) 993-4644 ☒ (818) 993-4604

Bobbin:	1 1/4" x 1 1/4"	Part №:	CM-13111
Core:	EI-125 29 M6 {Butt-stack 4.5 mil gap}	Date:	November 12, 2013
Case:	Covers - NO LEGS {Note 1}	Customer:	Eddie Current
Terminals:	22 ga x 12" lead wires	Service:	2.5K : 8Ω + tertiary
Embedment:	Dolphs spray varnish		17.68 CT : 1 + tertiary



	Use:	Notes:	Wire:	Turns:	Tap:	Insulation:	Setup:
I	Pri		35 hpn	943		3L P56 Tape	width = 43.25mm pitch=0.183mm