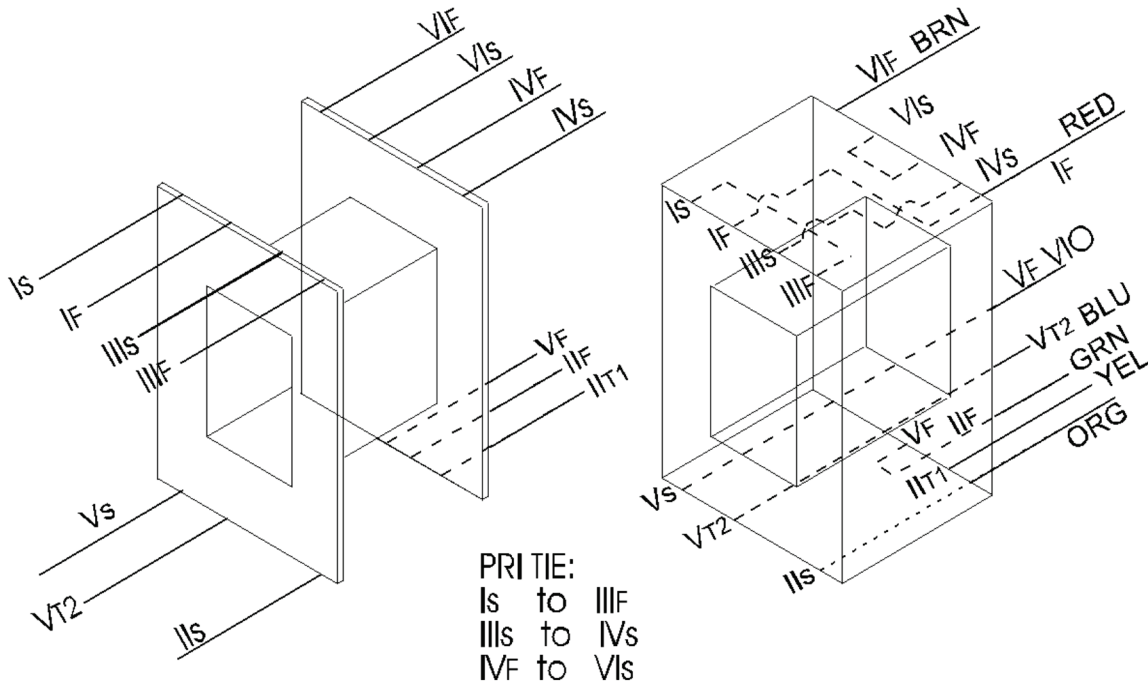




9050 Independence Ave.
 Canoga Park, California 91304
 ☎ (818) 993-4644 ☎ (818) 993-4604

Bobbin:	5/8 x 5/8 GF	Part №:	CM-13108
Core:	EI 625 M6 Butt-stacked 4 mil	Date:	October 16, 2013
Case:	CF + SH-100 covers	Customer:	David Meza
Terminals:	9" - 26 ga	Service:	Tube Output
Embedment:	Dolphs AC-46		15K : 600/300/150/32



	Use:	Notes:	Wire:	Turns	Tap	Insulation
I	Pri		35 hspn	937		3L Plain Mylar 1 mil L -> L w=21.1mm p=0.180