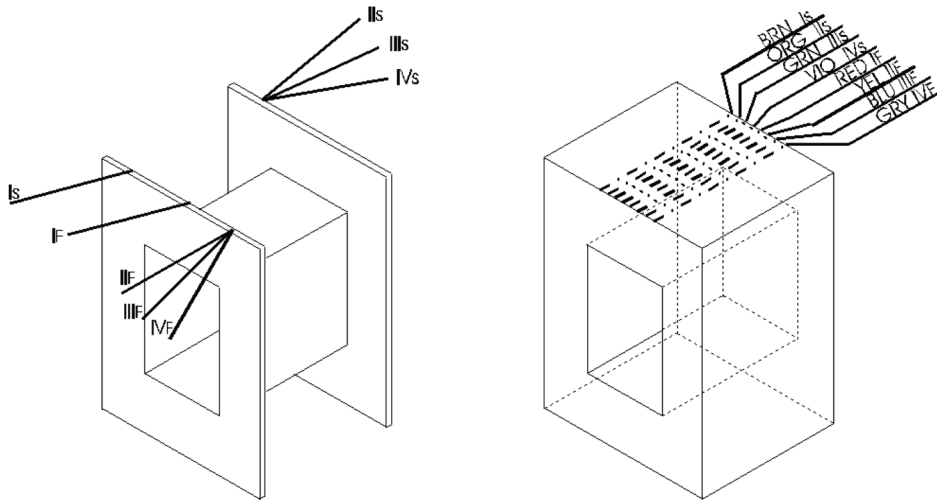




4487 Ish Drive
 Simi Valley, CA 93063
 (818) 993-4644

Bobbin:	5/8 x 5/8	Part №:	CM-13104 Rev B
Core:	EI-625 H, L, S	Date:	September 30, 2025
Case:	Channel Frame	Customer:	
Terminals:	9" Leads 26ga	Service:	Quad-filar Output
Embedment:			Voltage gain: ~1dB



	Use:	Notes:	Wire:	Turns	Tap	Insulation
I	Pri+3 sec's	I, II, III, IV III	31 spn	57	446 {Winding I}	ALL WINDINGS QUADFILAR W=21.0 P=0.750