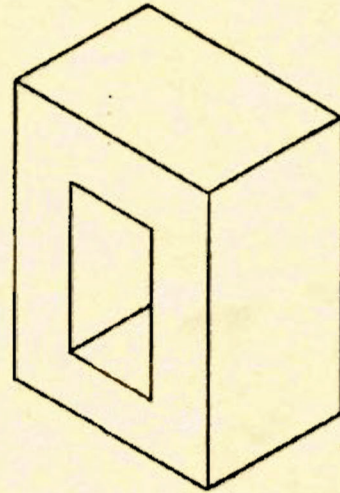
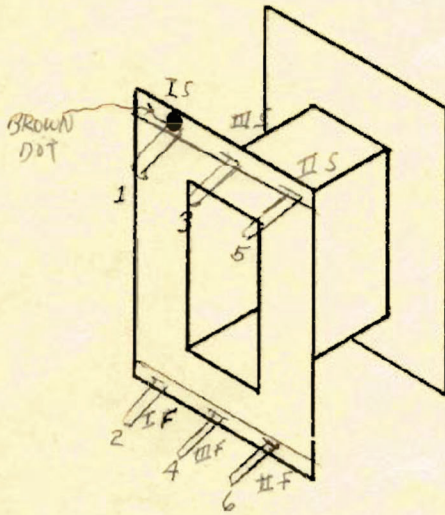


BOBBIN 6592
 CORE EI 375 .014 LO NI
 CASE PC MOD12 CHANNEL FRAME
 TERMINAL 17022BIN
 EMBEDMENT _____

NO. B12303
 DATE 1-27-75
 CUSTOMER NO. URE1
 SERVICE _____



	USE	DCR	WIRE	TURNS	TAP	INSULATION
1	PR1		33 SS	1200 1/2		