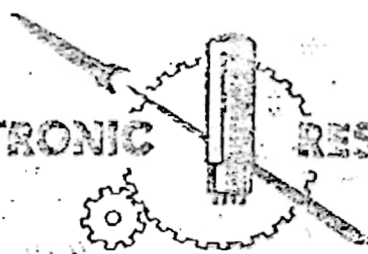


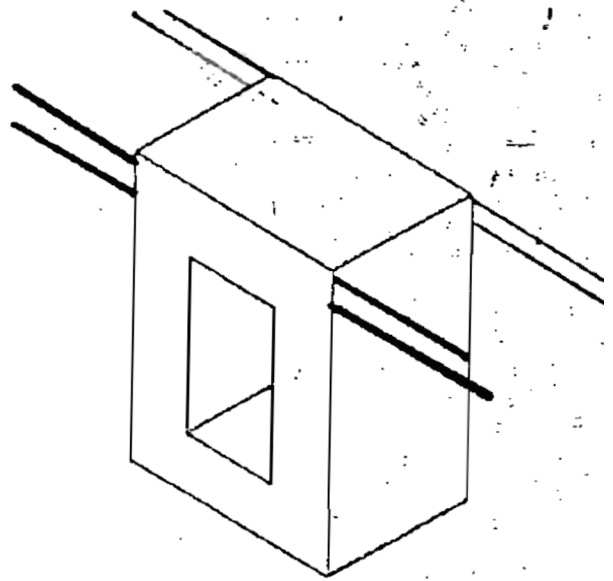
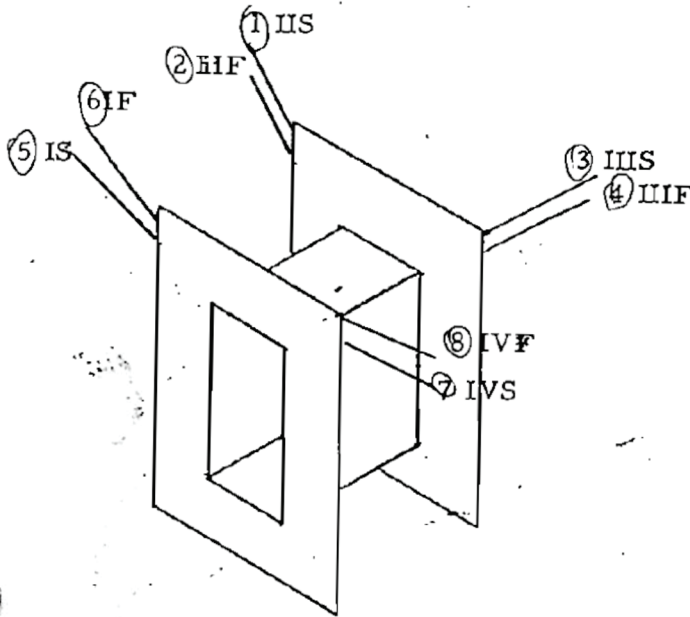
TRANSFORMER
INTERNATIONAL ELECTRONIC

DIVISION
RESEARCH CORPORATION



BIN NY 10
 CORE EI 625 29 Ga M6
 CASE Horz. Channel Frame
 TERMINAL Leads
 EMBEDMENT _____

NO. B 11148-A
 DATE _____
 CUSTOMER NO. U. R. E. I.
 SERVICE 40J to 600-600



	USE	DCR	WIRE	TURNS	TAP	INSULATION
1	SEC	///	35SS	456		