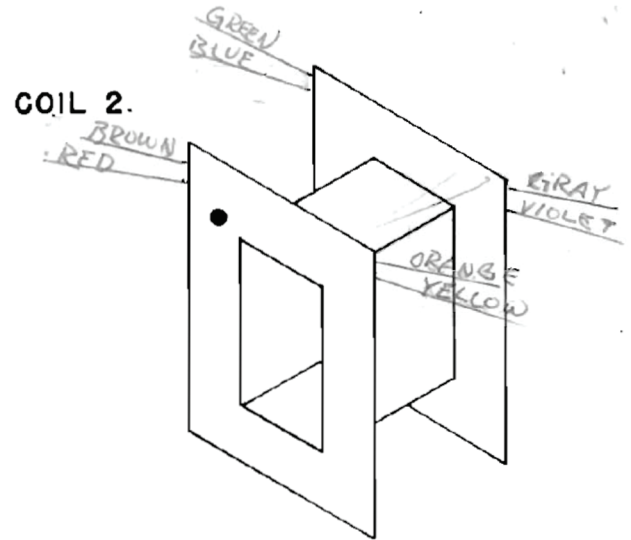
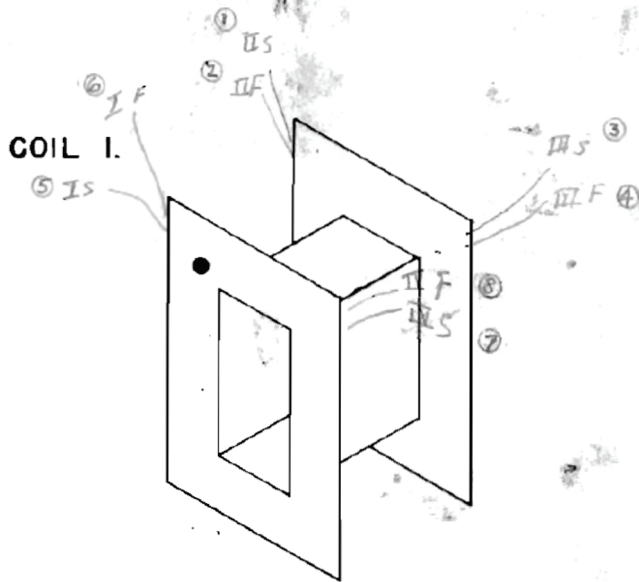


SPECIFICATIONS

JOB BIN NY-10
 CORE E1 L25 290A 206
 CASE HOR CHANNEL FRAME
 TERMINAL LEADS

NO. B11148-A
 DATE JAN 30 1974
 CUSTOMER NO. UREI
 SERVICE 40 TO 600-600



	USE	DCR	WIRE	URNS	TAP	INSULATION		USE	DCR	WIRE	URNS	TAP	INSULATION
I	SEC		3555	456	-		I						