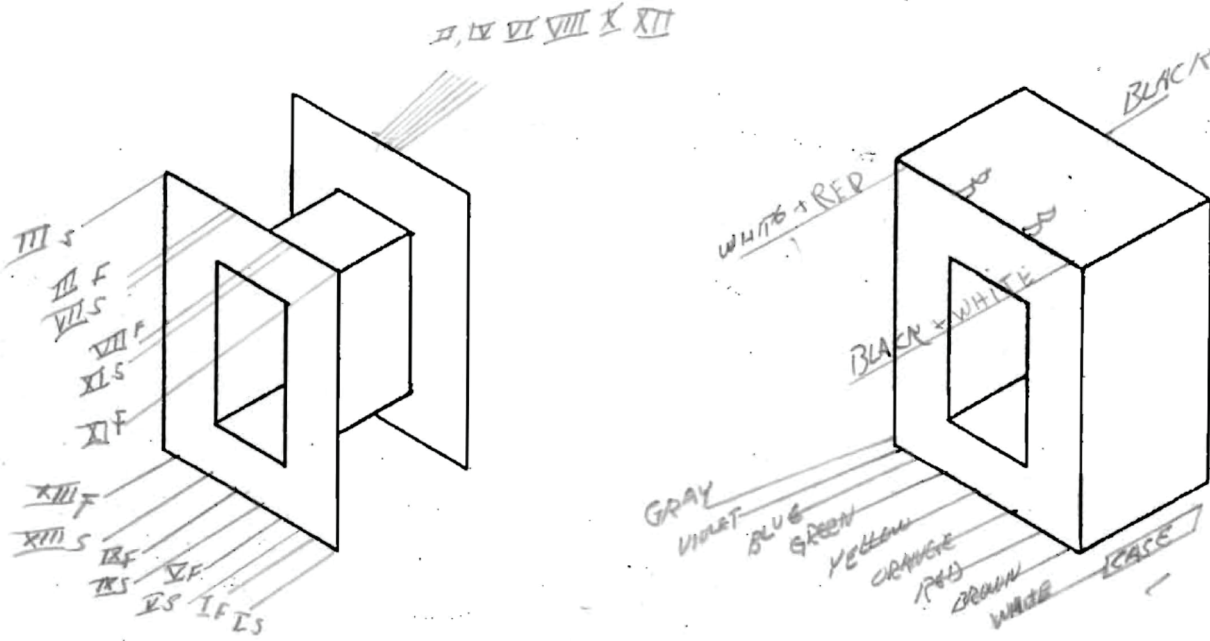


**Reichenbach Engineering Company**  
 SPECIALISTS IN QUALITY AUDIO TRANSFORMERS

BOBBIN NY-7  
 CORE EI 375 .014 HI DS  
 CASE MF-32  
 TERMINAL LEADS  
 EMBEDMENT \_\_\_\_\_

NO. 8011  
 DATE OCT 28 1960  
 CUSTOMER NO. \_\_\_\_\_  
 SERVICE 40 to 600 Hz



	USE	DCR	WIRE	TURNS	TAP	INSULATION
✓ I	PRI		2855	68		3 L, 0007 K
✓ II	SHIELD		0007CU	1		4 L
✓ III	SEC	0	3855	326		5 L